

**FORD RANGER MY22** →

**Important**



- Read instructions carefully before installation.
- It is strongly recommended that installation is conducted by an authorized dealer.
- This product must be installed exactly as specified in these instructions. Failure to do so may result in improper fit and/or retention/failure of components.

PERSONAL PROTECTIVE EQUIPMENT:



Mask



Rubber Glove



Goggles



Hearing Protection

Care Instructions:



Clean with a mild detergent and water solution.



Do not use abrasive cleaners or solvents.



1 (x1)



2 (x1)



3 (x1)



4 (x1)



5 (x1)



M6

6 (x1)



M6

7 (x1)



M6 (Large)

8 (x4)



9 (x16)



M8

10 (x12)



M8 (Large)

11 (x14)



M8

12 (x2)



13 (x1)



Anti-Rust

14 (x2)



Foam

15 (x2)



16 (x8)



M6 (small)

17 (x8)



M6x20

18 (x2)



19 (x2)



20 (x8)

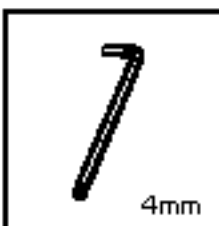
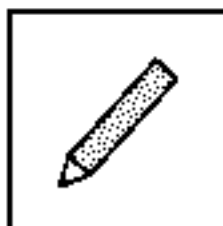
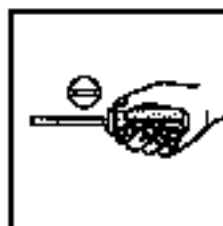
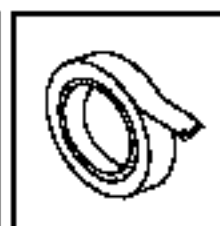
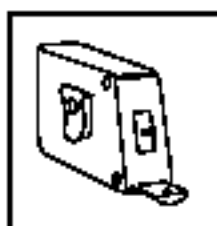
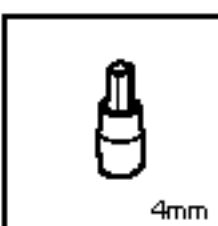
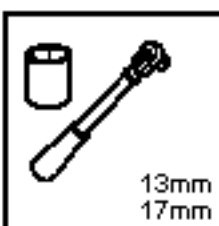
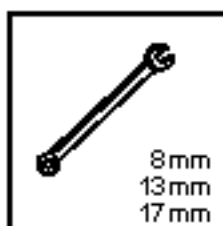
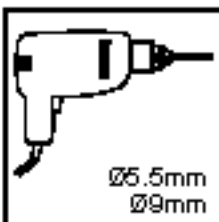


M10

21 (x8)



M10



## GLOSSARY



: Vehicle Part



: Sequence



: Part Provided



: Torque Setting



: Even Space



: Reuse



: Discard



: Complete for Both Sides



: Two People



: Check



: Caution



: Clean



: Location



: Loosen



: Adjust



: Install & Remove



: Equal



: Disconnect



: Connect



: No Torque

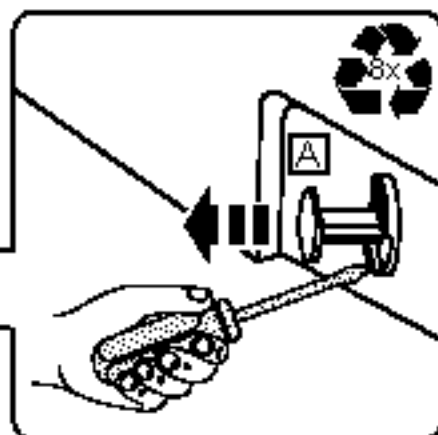
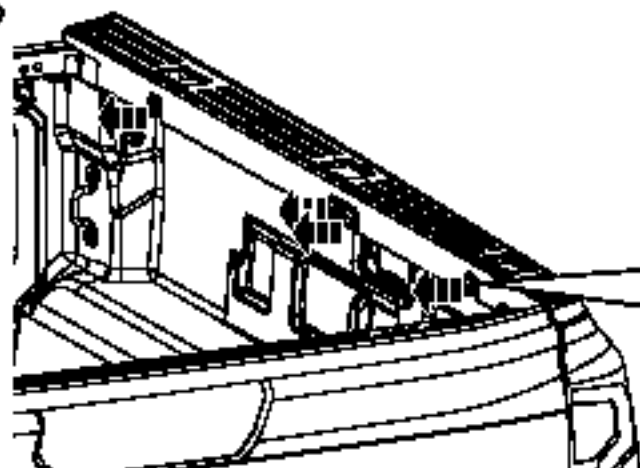


: Lock

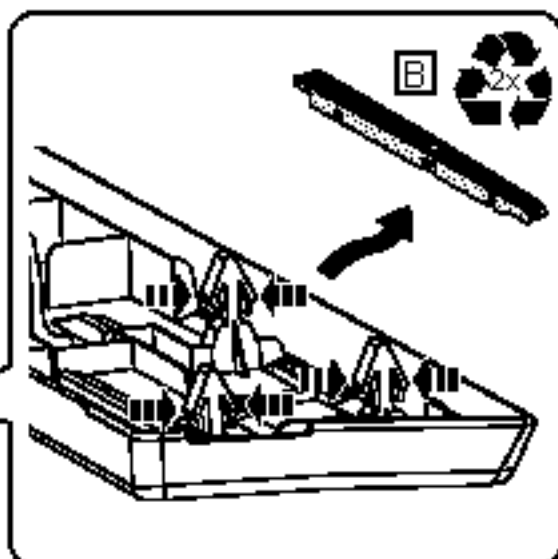
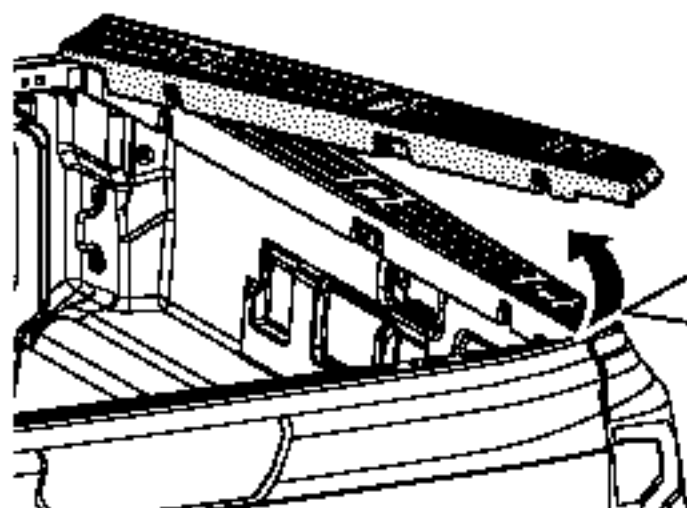


: Unlock

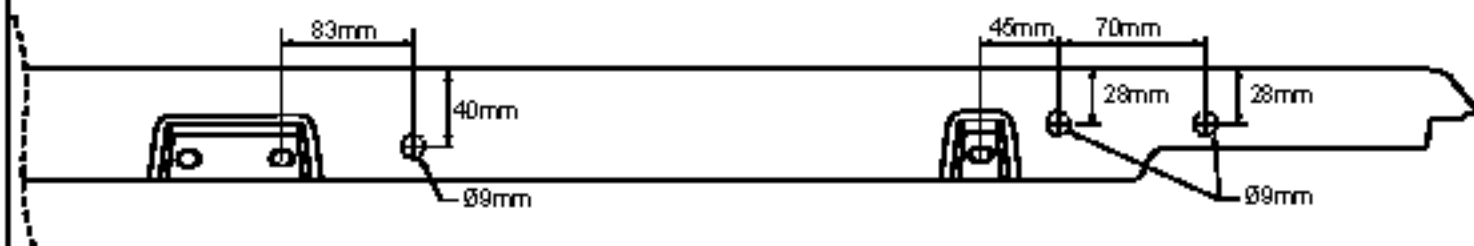
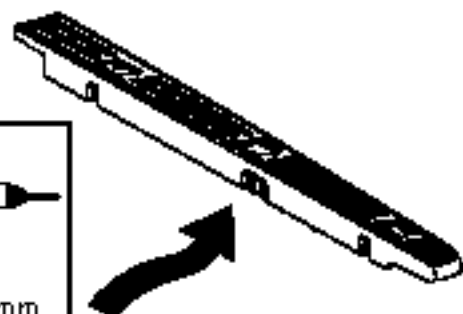
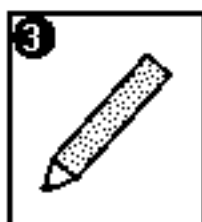
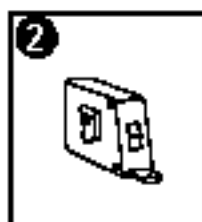
1



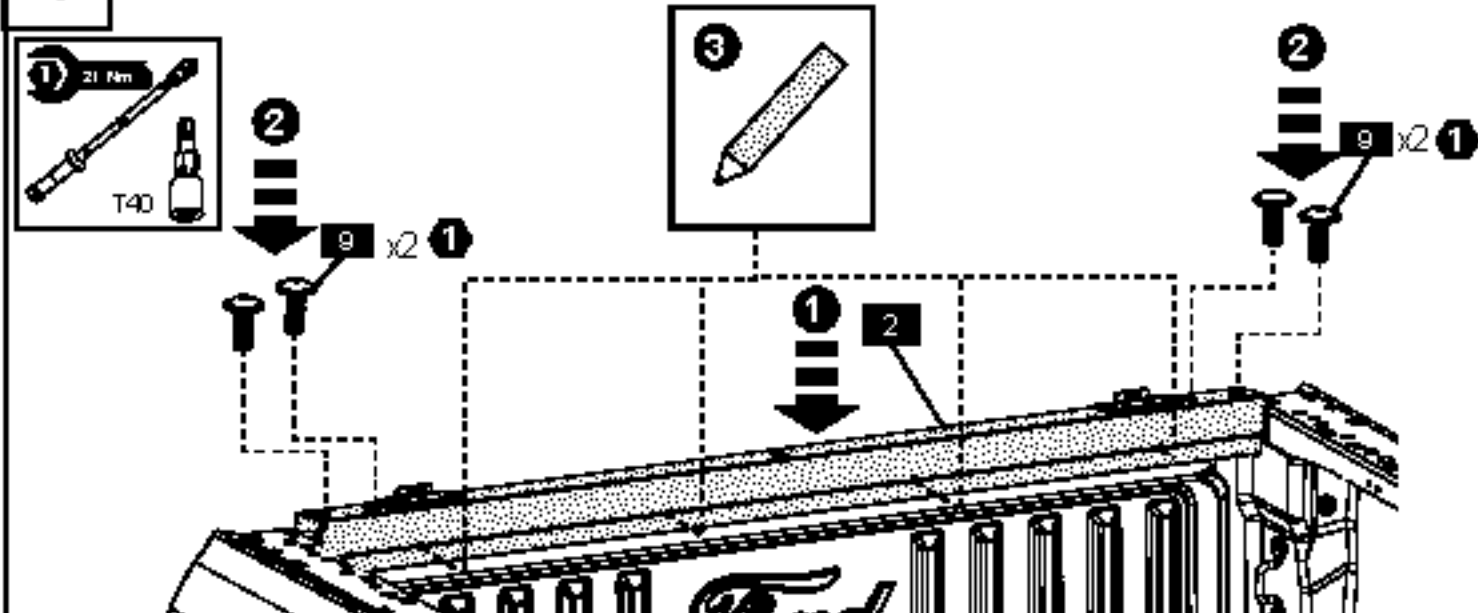
2



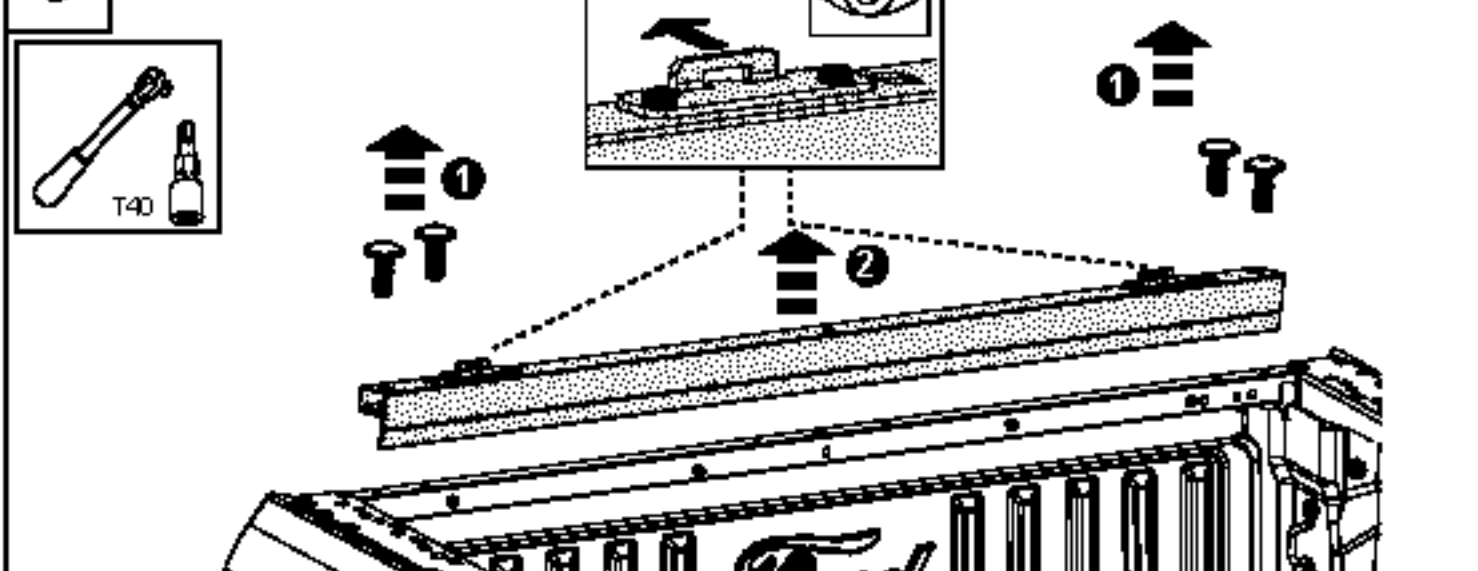
3



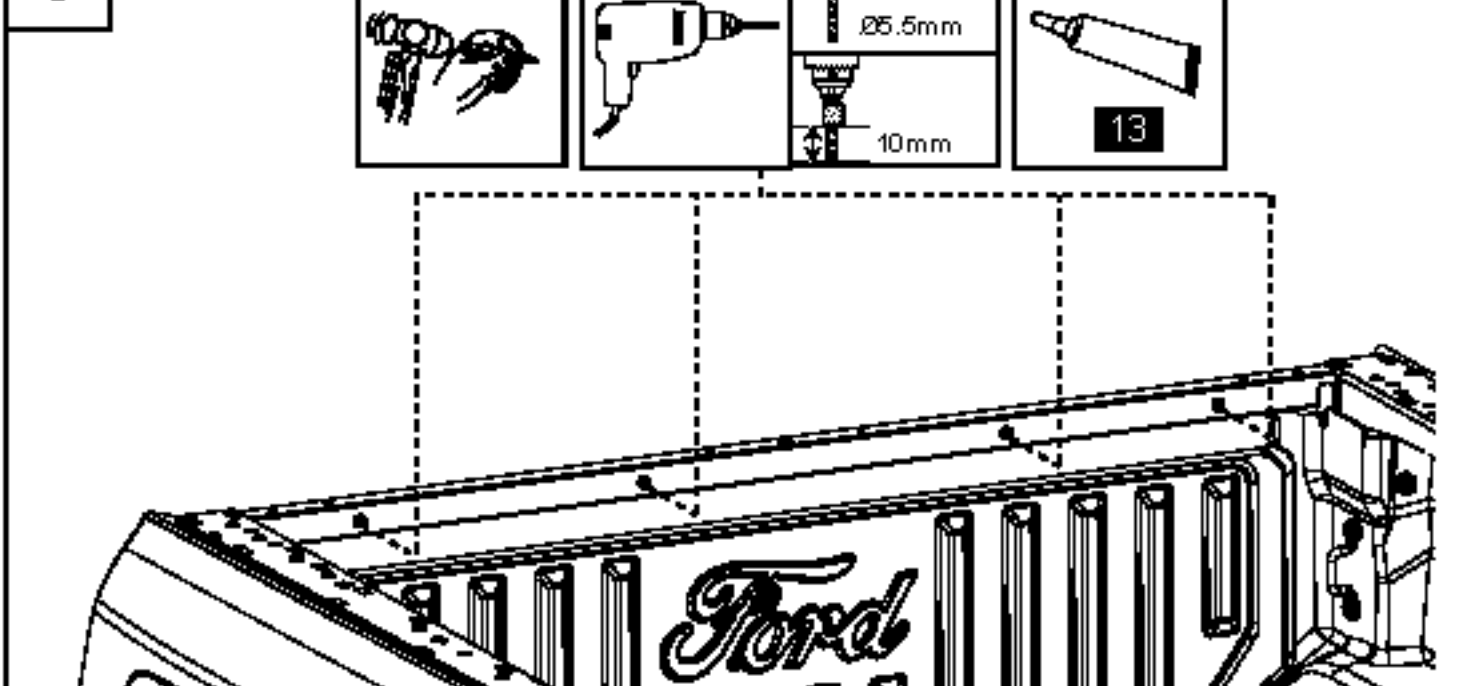
4



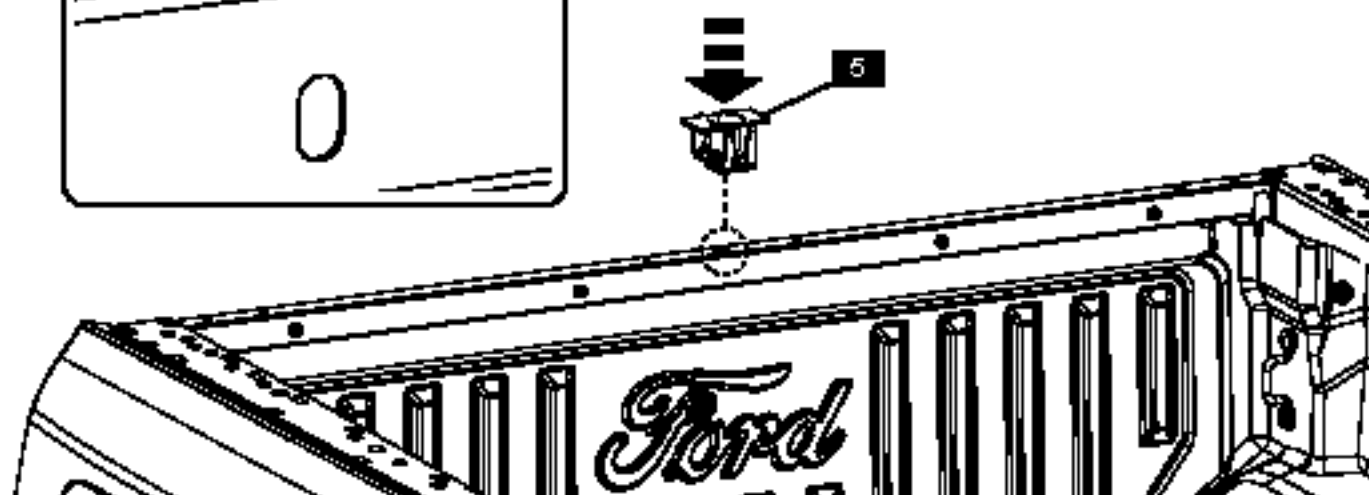
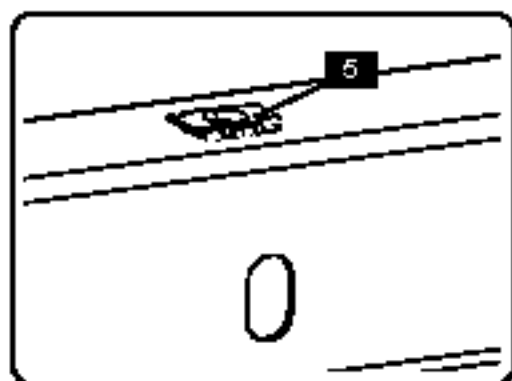
5



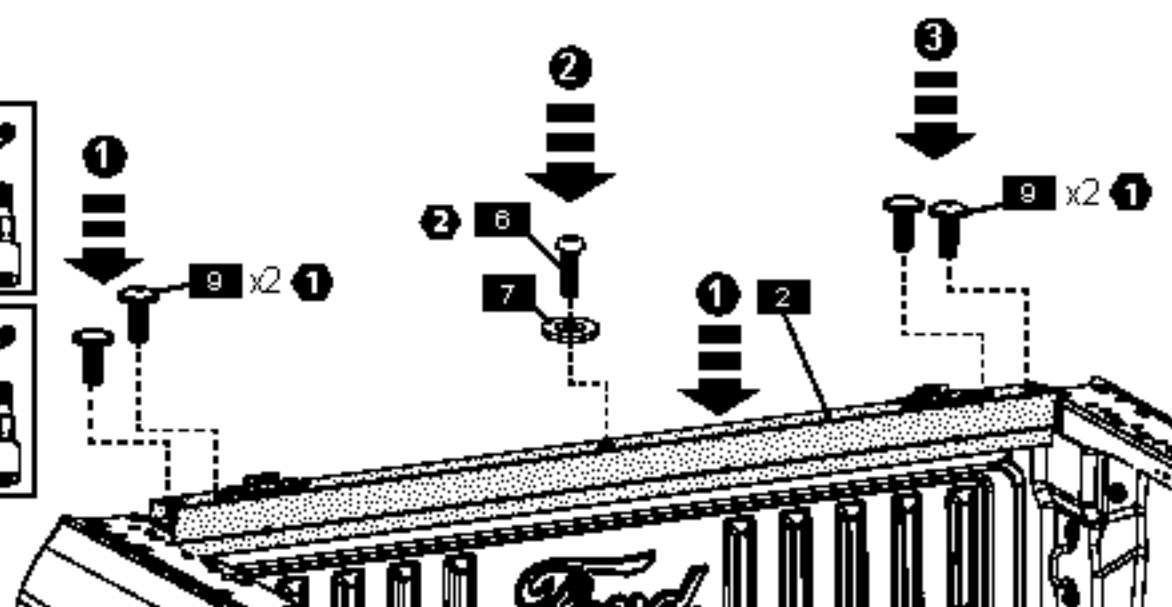
6



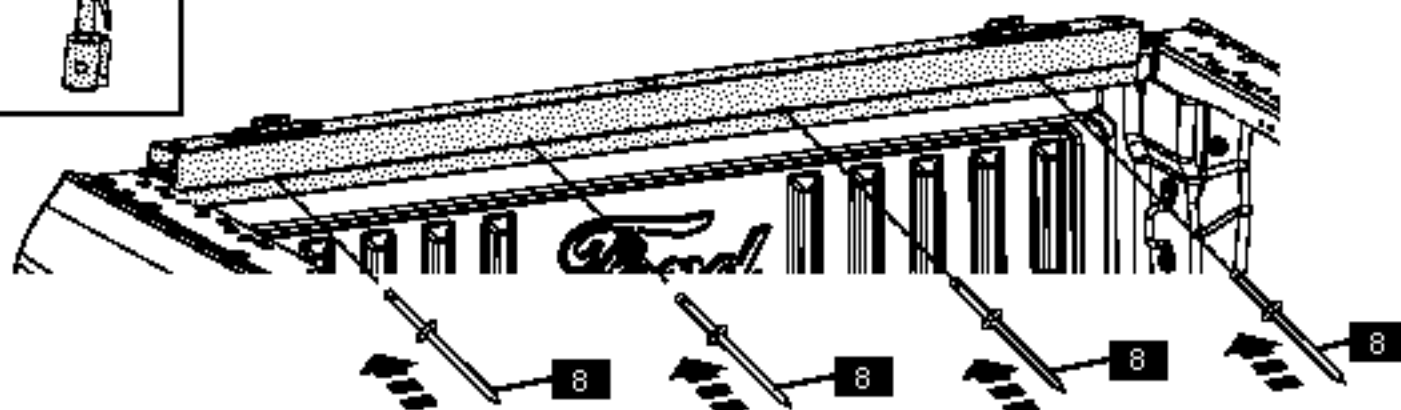
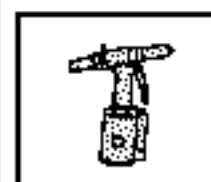
7



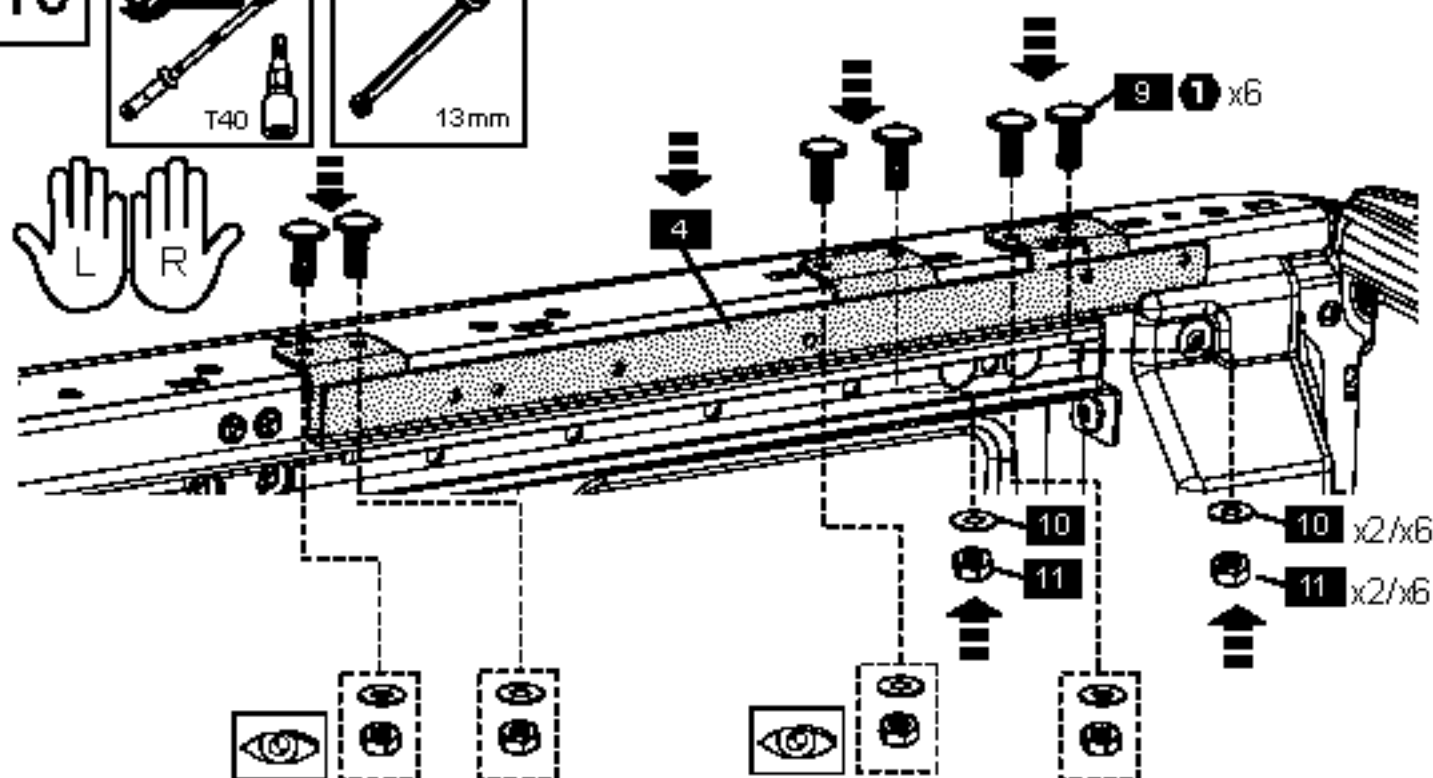
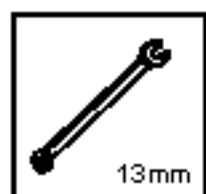
8



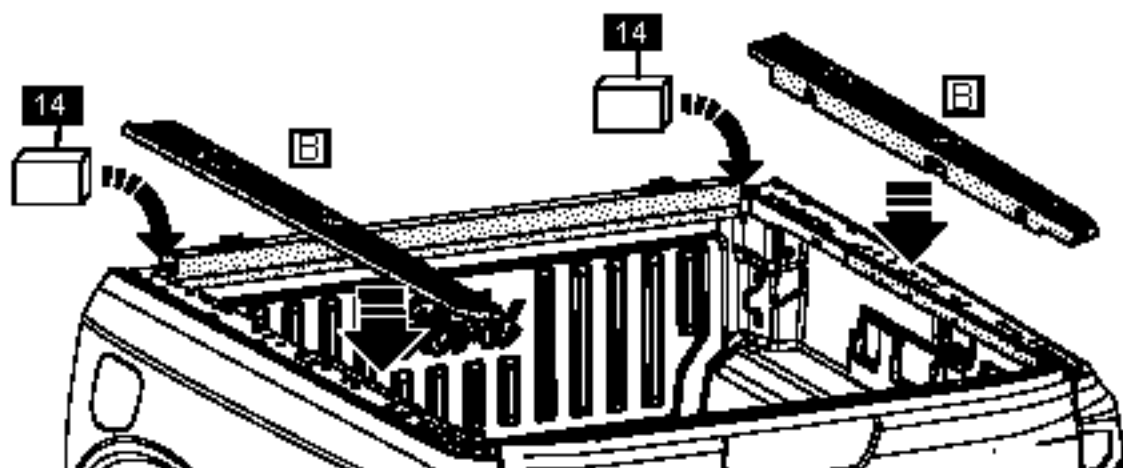
9



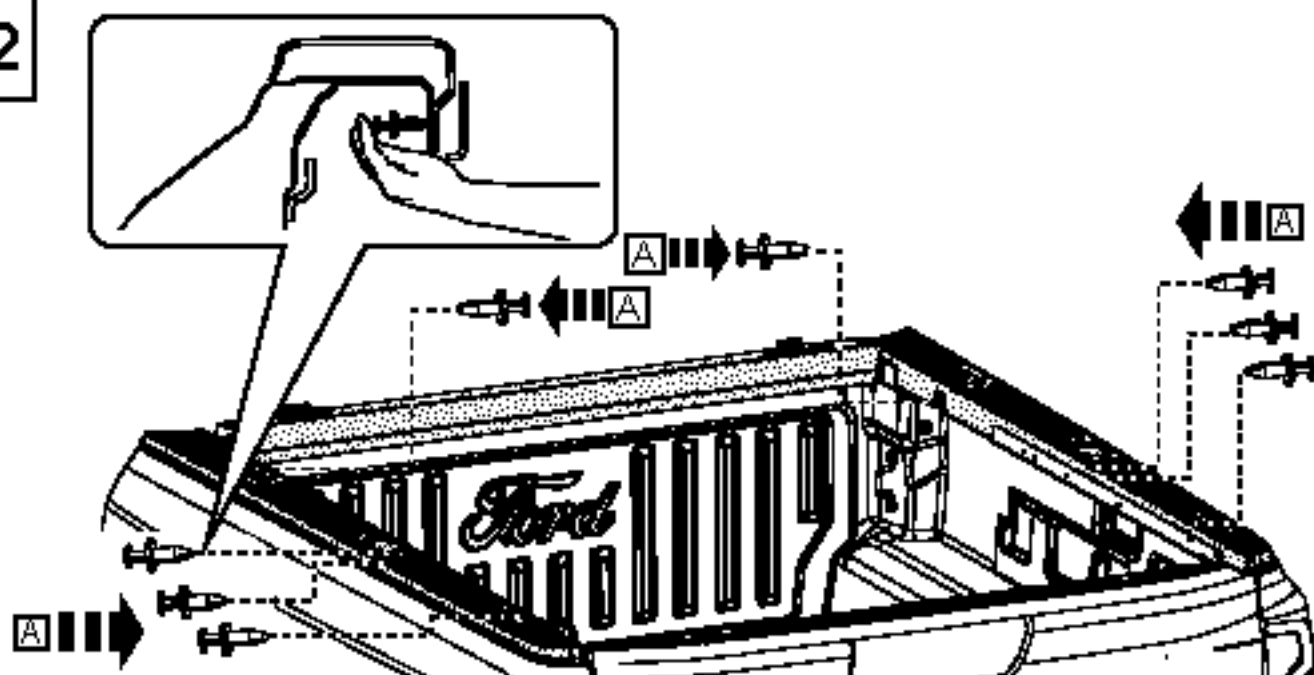
10



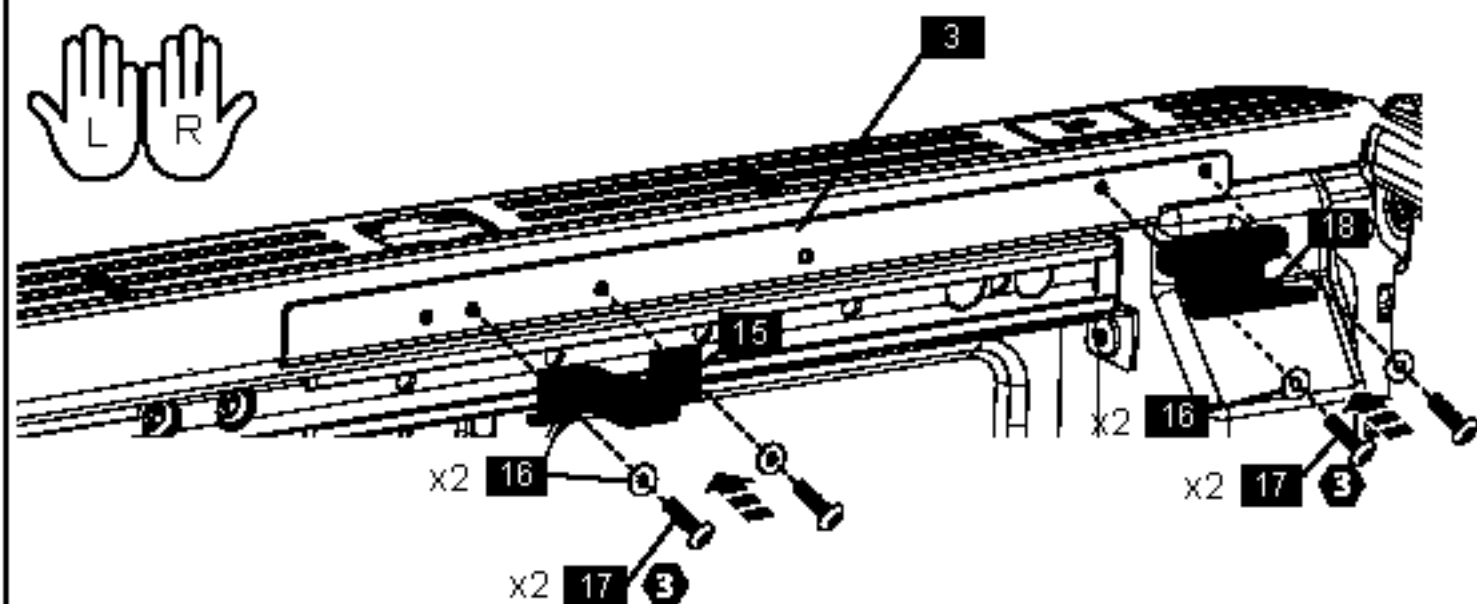
11



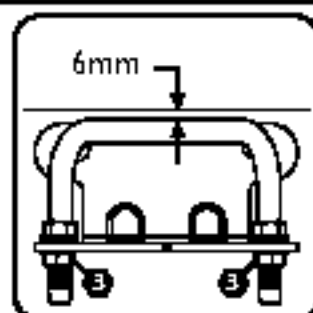
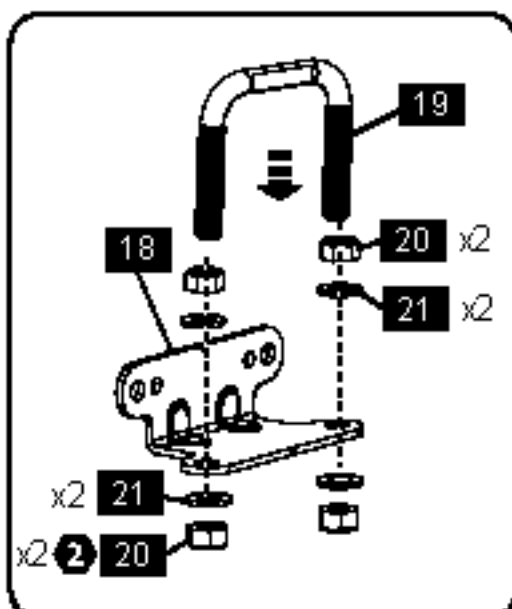
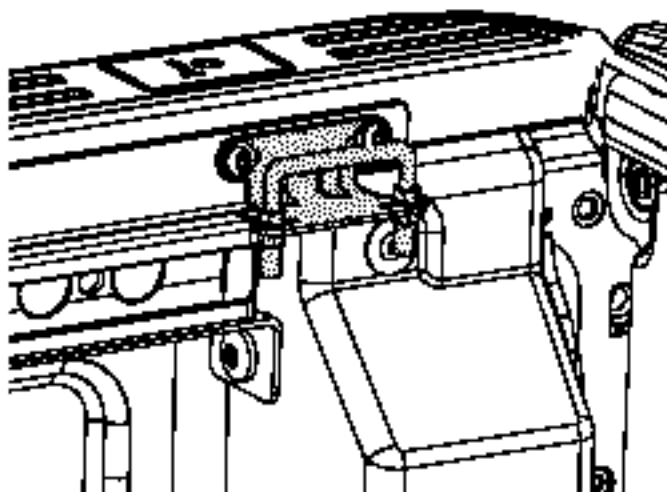
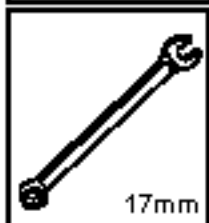
12



13

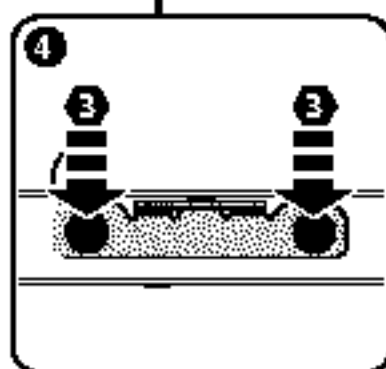
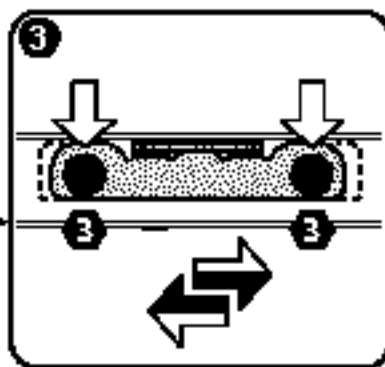
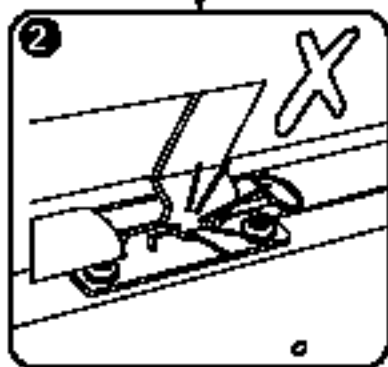
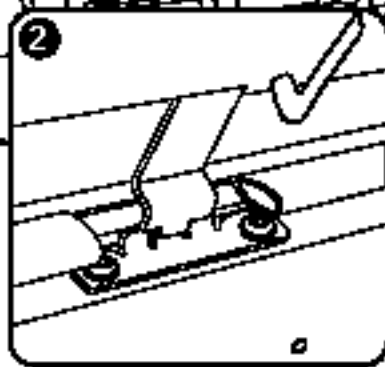
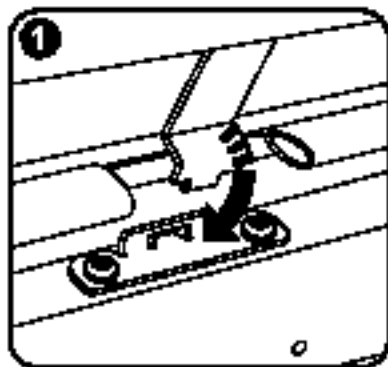
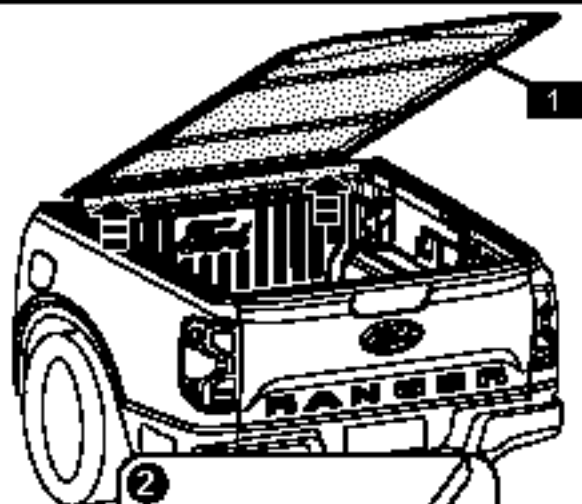


14

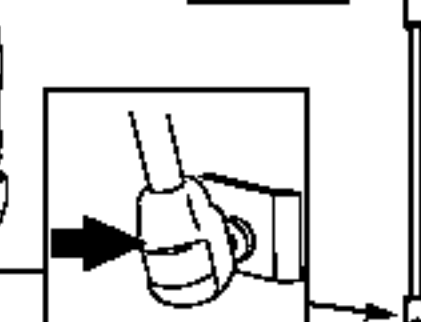
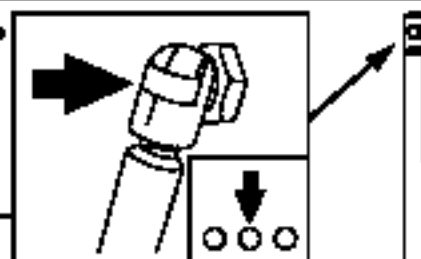
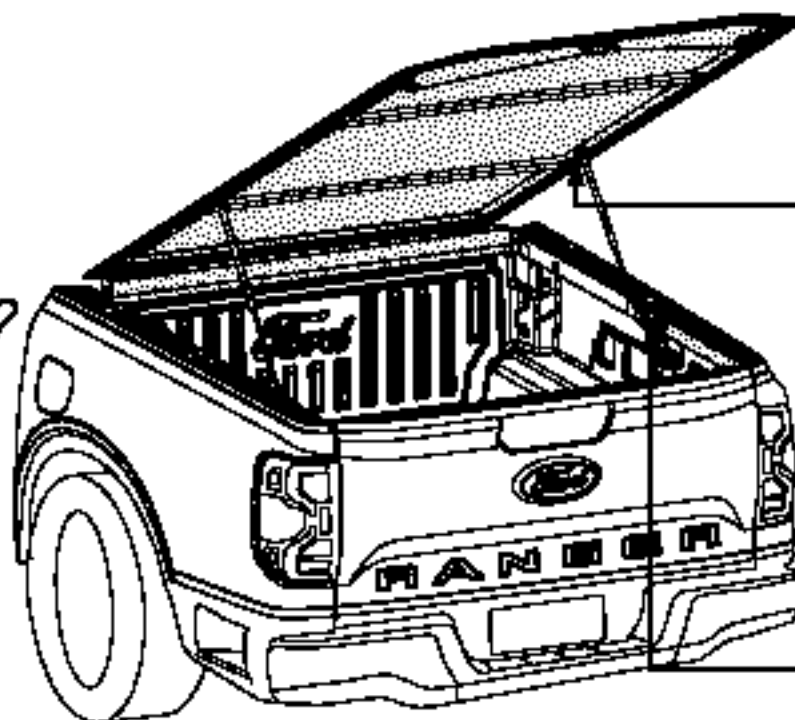




15

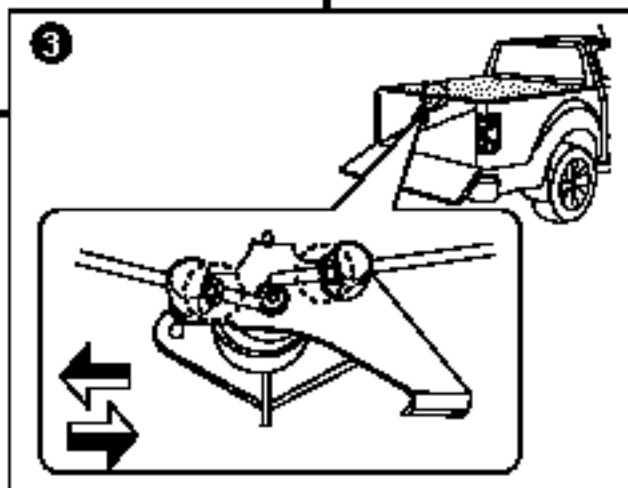
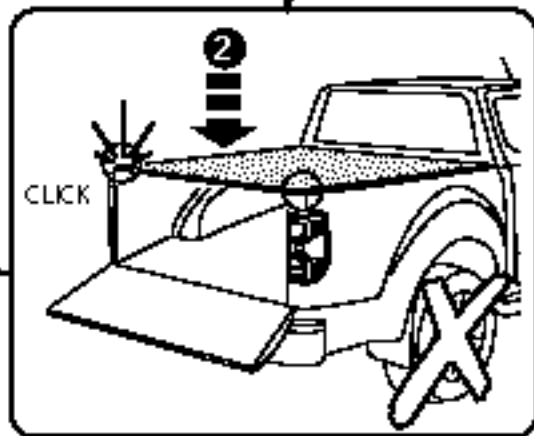
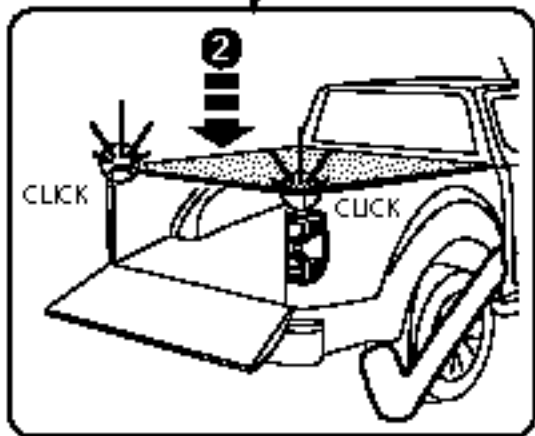
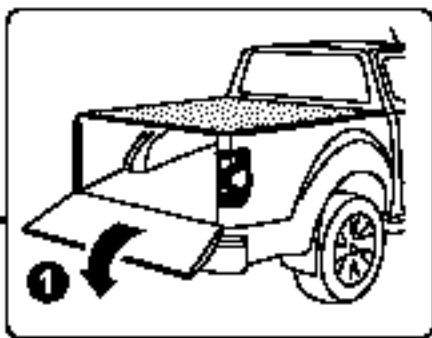


16

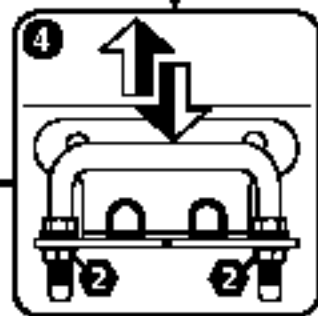
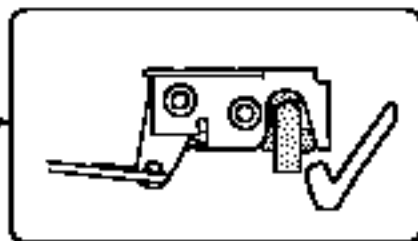
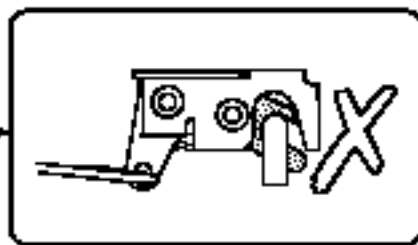
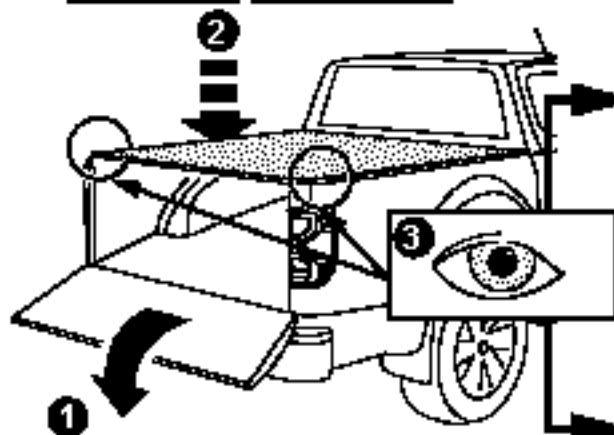
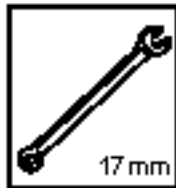


14

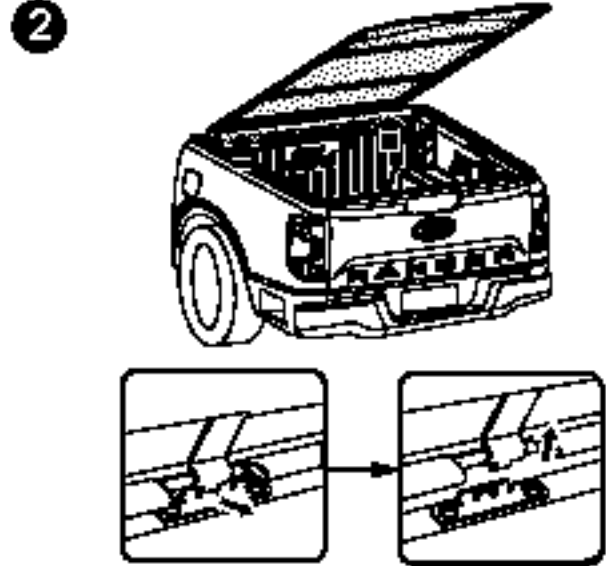
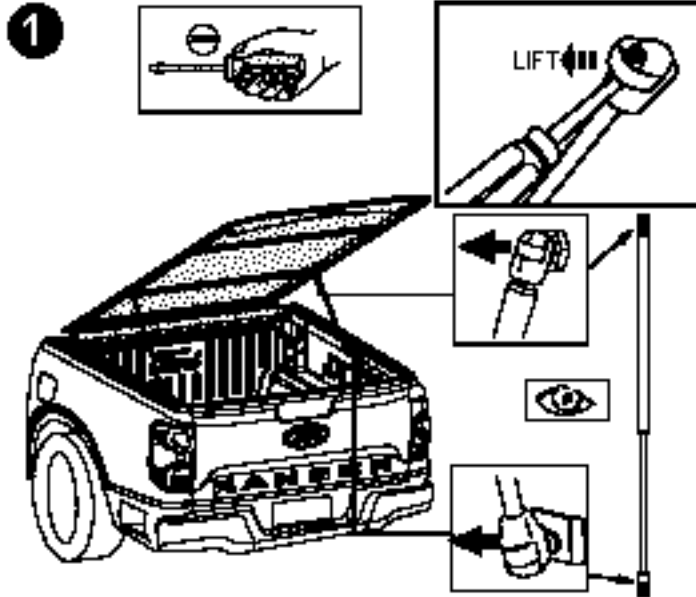
17



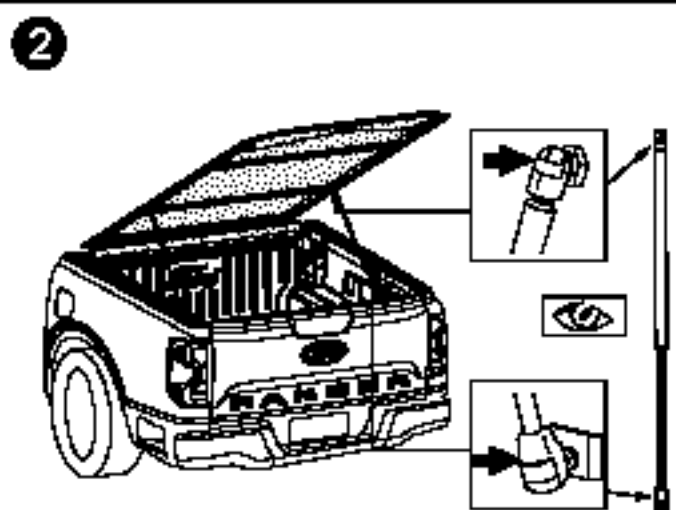
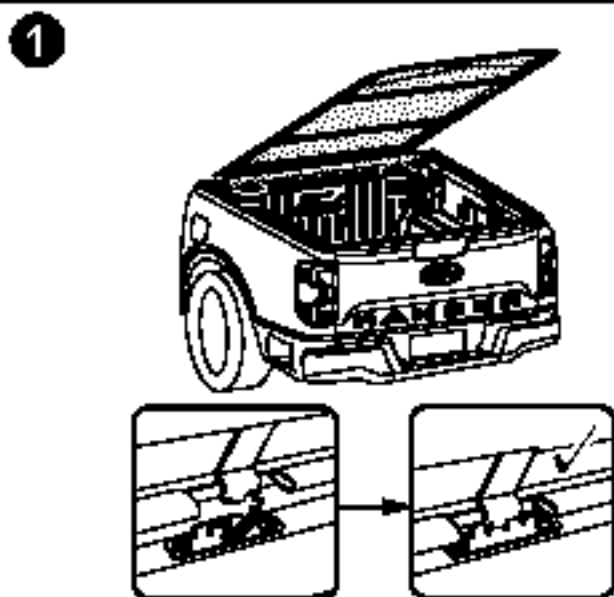
18



## TONNEAU REMOVAL



## TONNEAU REATTACHMENT



## UNLOCK GUIDE

6

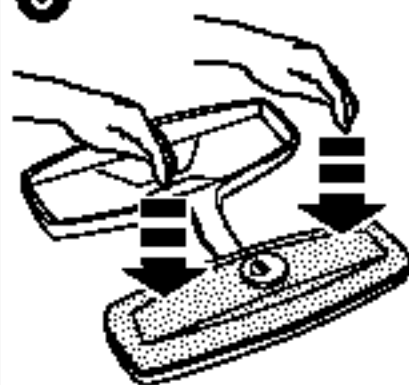
1



2



3



4



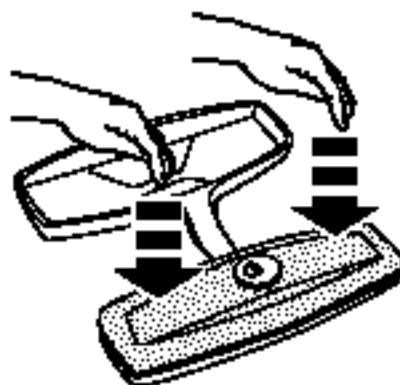
5



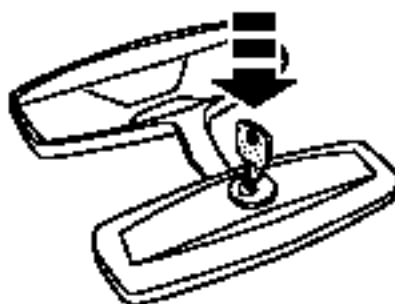
## LOCK GUIDE

6

1



2



3



4



5

