

**VW AMAROK MY23**



**Important**



- Read instructions carefully before installation.
- It is strongly recommended that installation is conducted by an authorized dealer.
- This product must be installed exactly as specified in these instructions. Failure to do so may result in improper fit and/or retention/failure of components.

**PERSONAL PROTECTIVE EQUIPMENT:**



Mask



Rubber Glove



Goggles



Hearing Protection

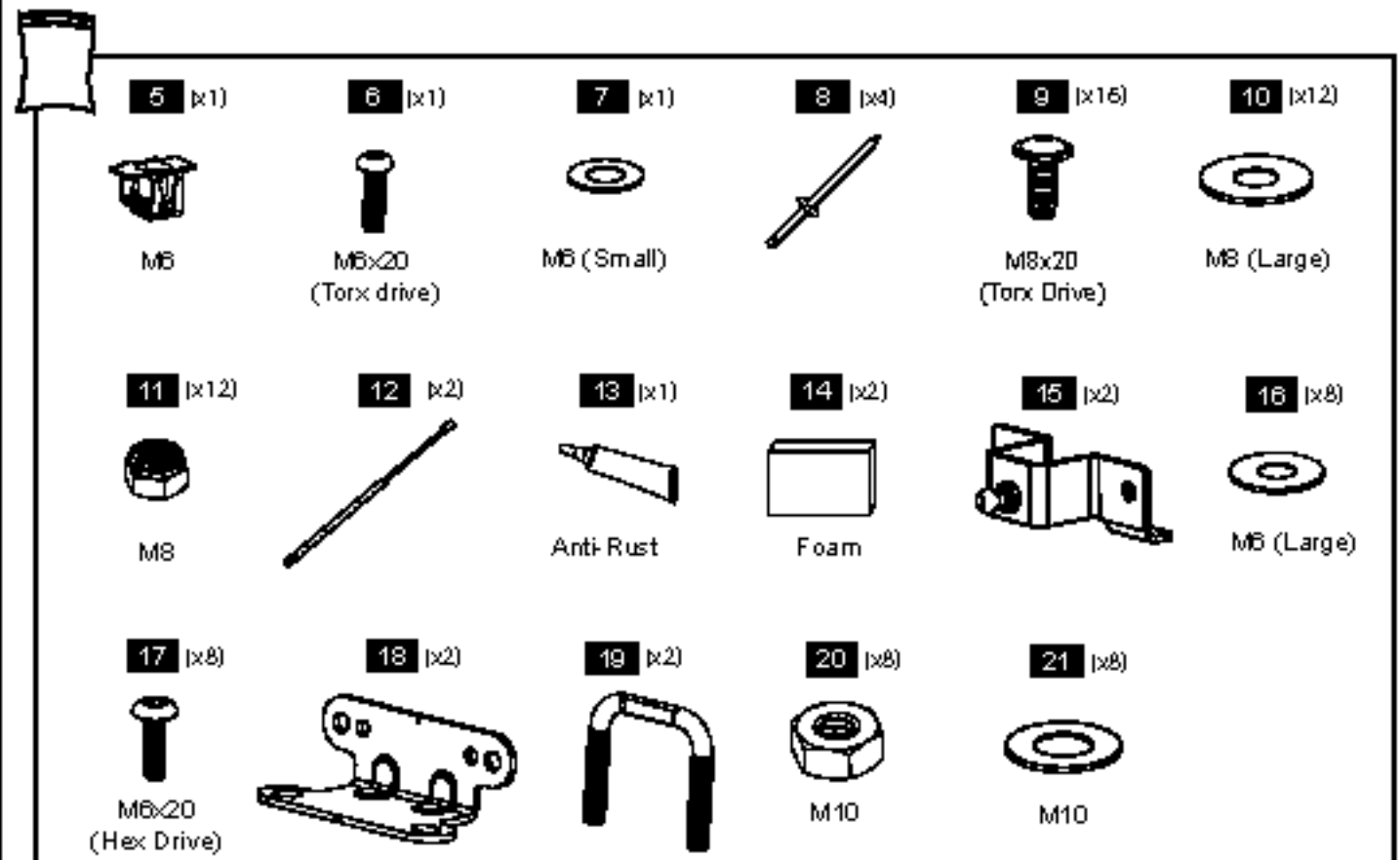
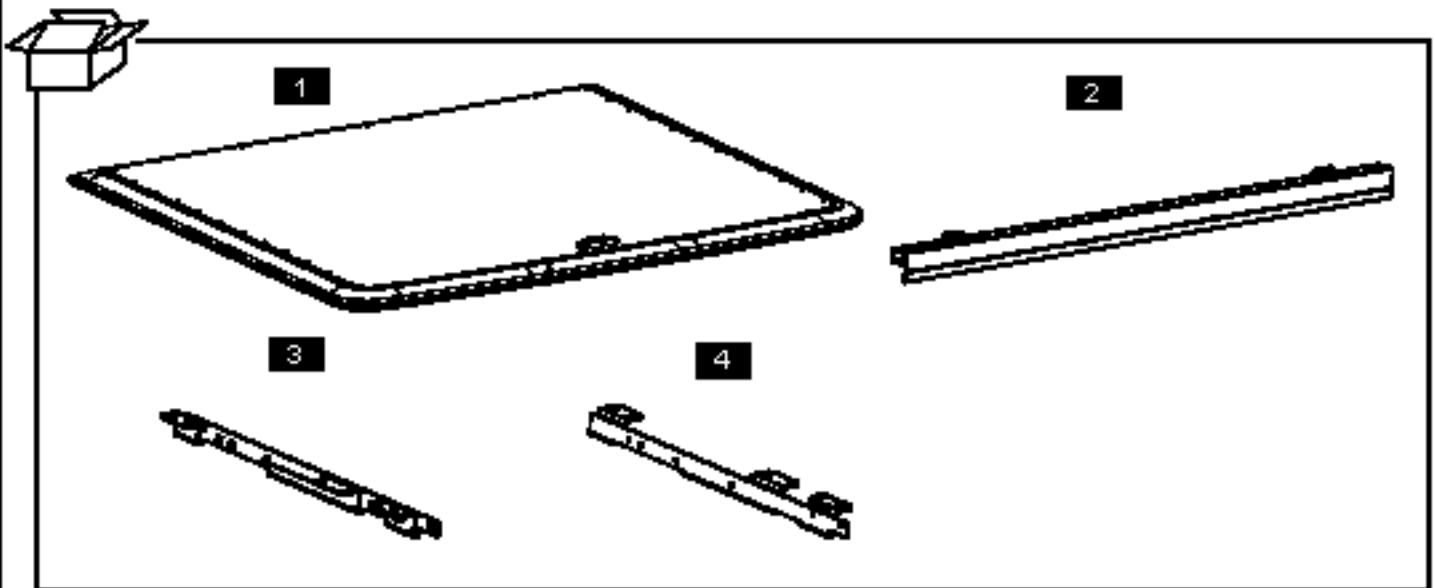
**Care Instructions:**

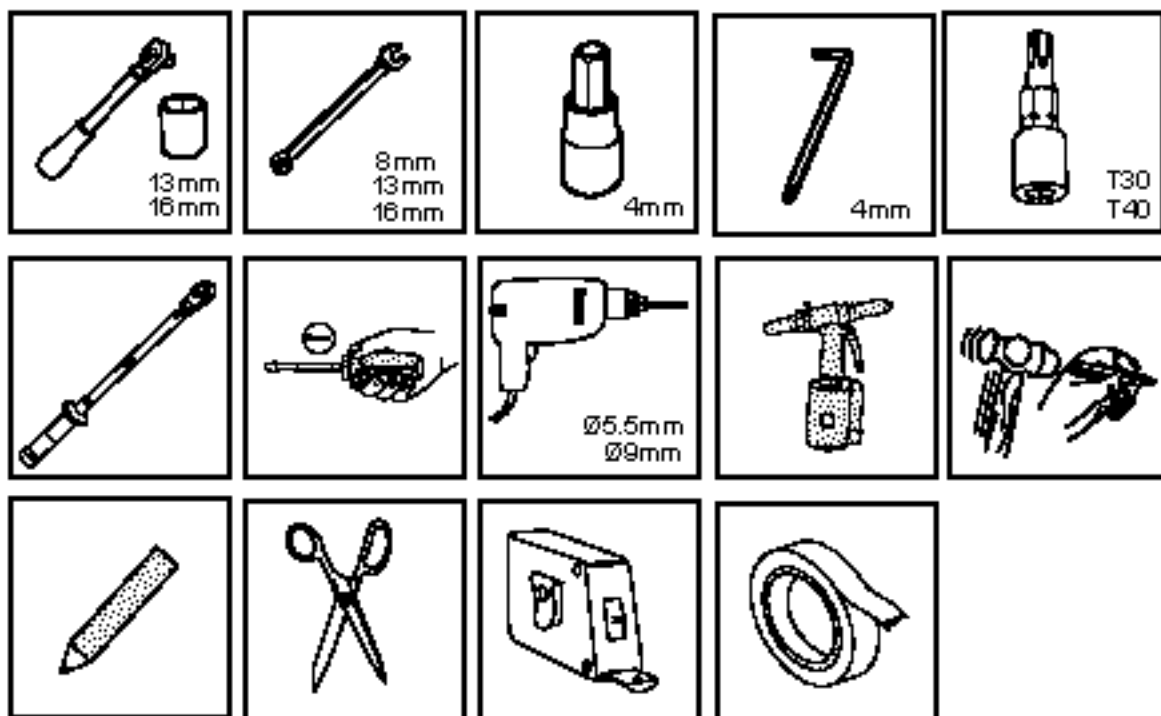


Clean with a mild detergent and water solution.



Do not use abrasive cleaners or solvents.

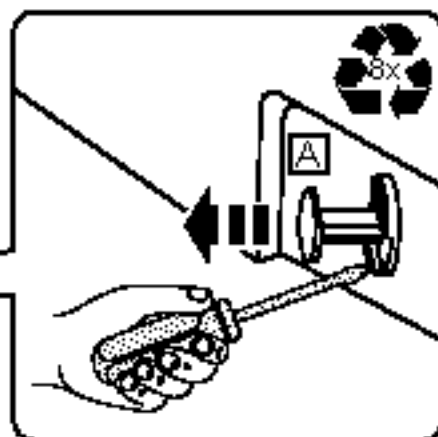
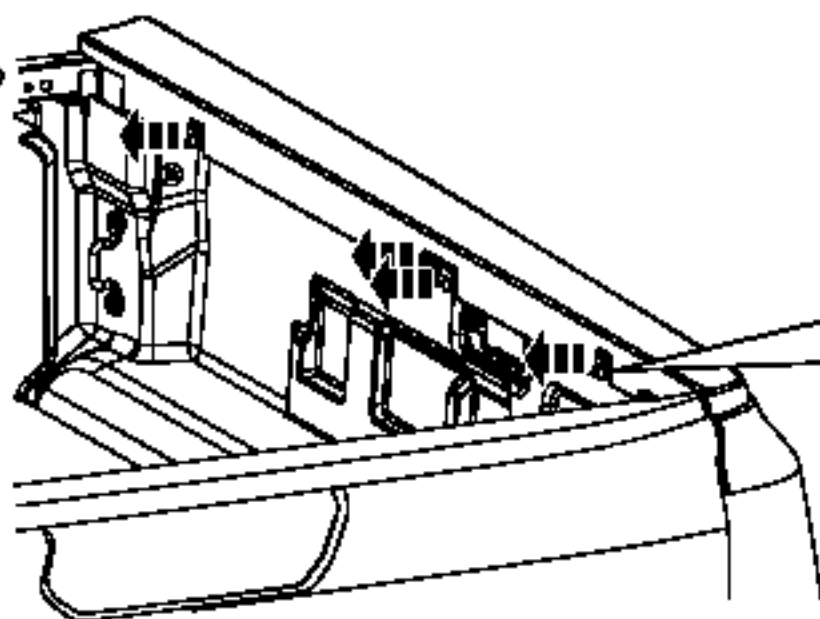




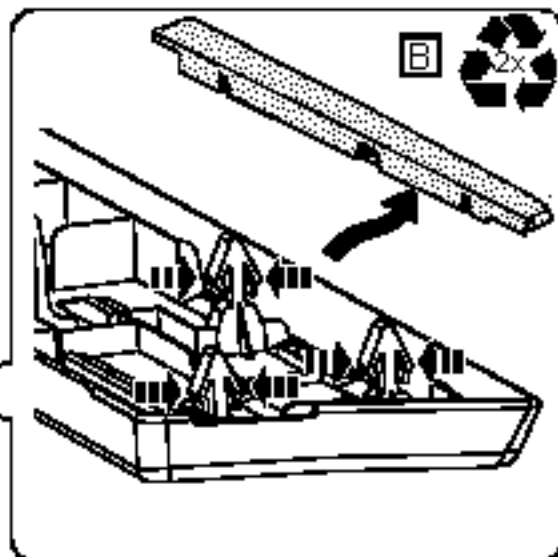
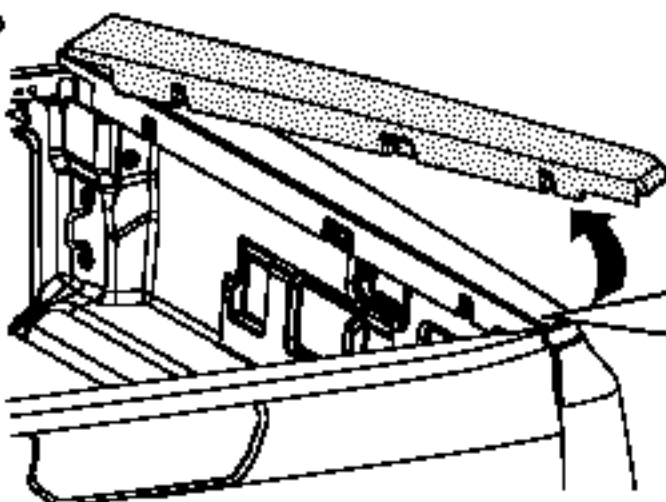
## GLOSSARY

	: Vehicle Part		: Location
	: Sequence		: Loosen
	: Part Provided		: Adjust
	: Torque Setting		: Install & Remove
	: Even Space		: Equal
	: Reuse		: Disconnect
	: Discard		: Connect
	: Complete for Both Sides		: No Torque
	: Two People		: Lock
	: Check		: Unlock
	: Caution		
	: Clean		

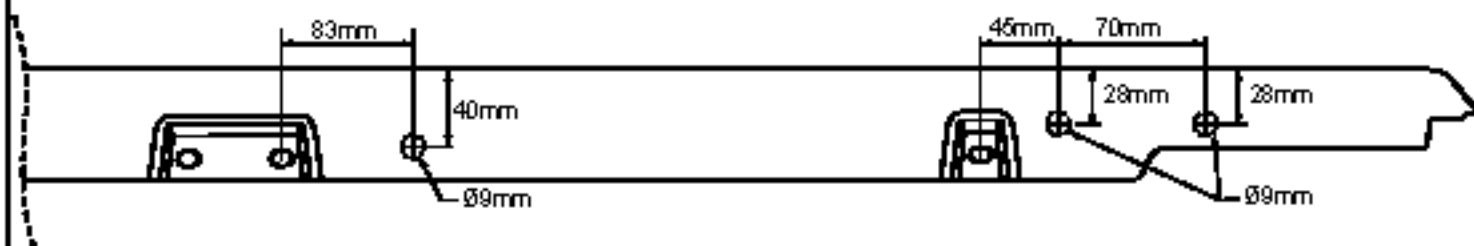
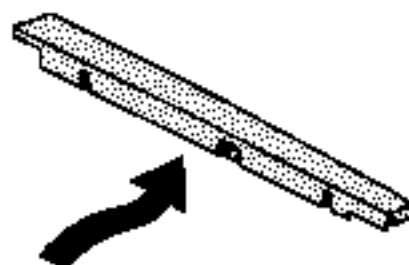
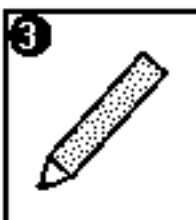
1



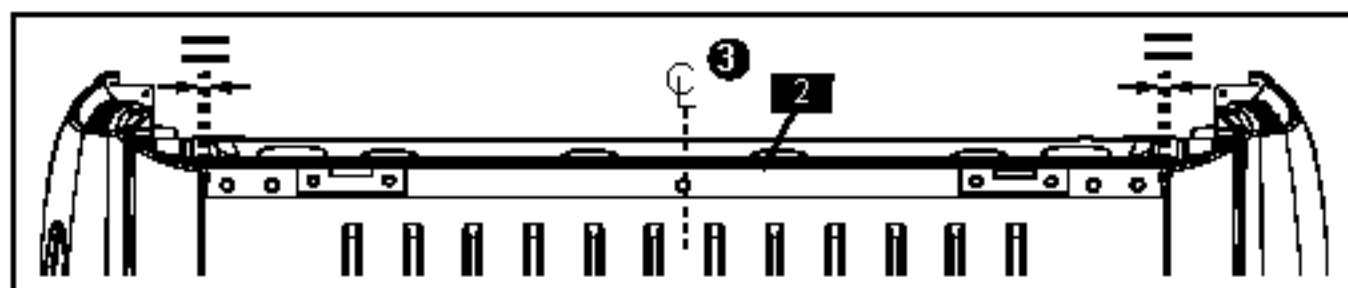
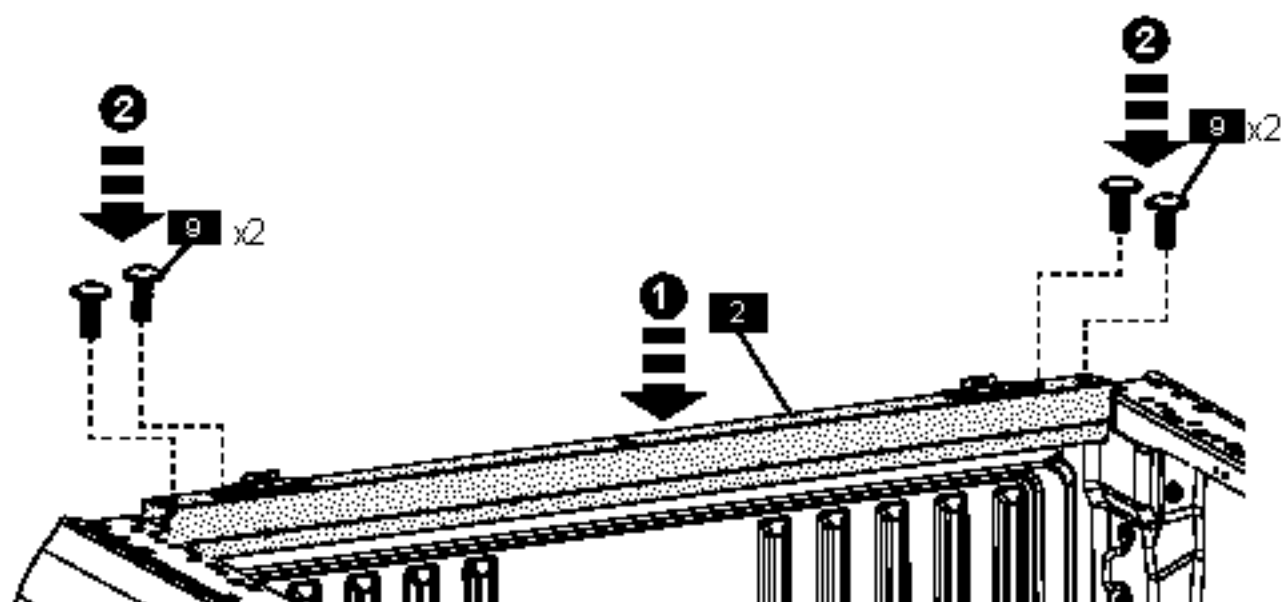
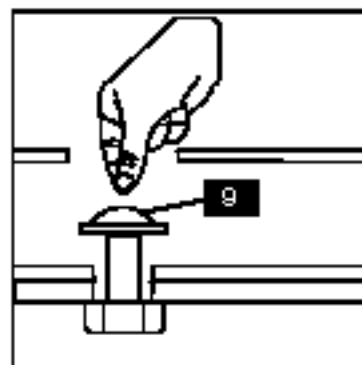
2



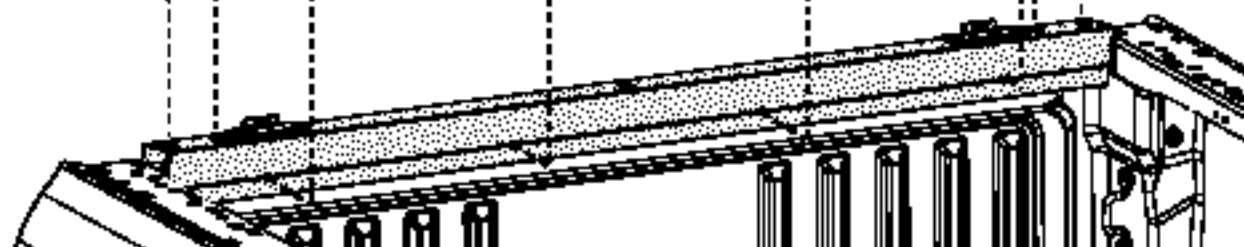
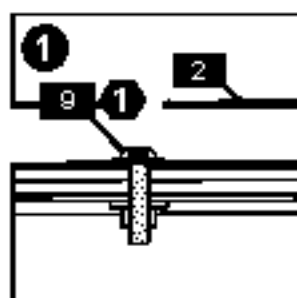
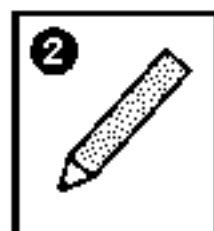
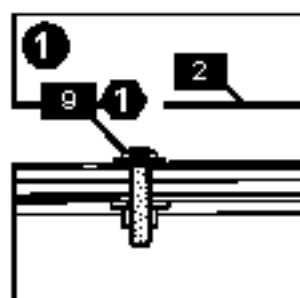
3



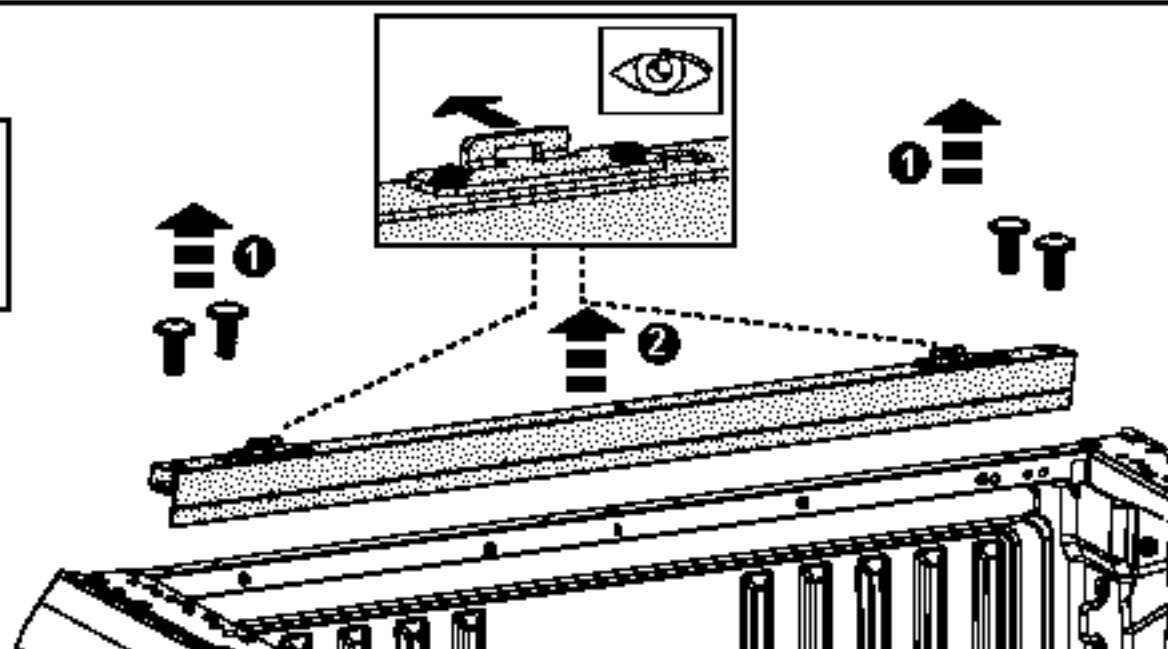
4



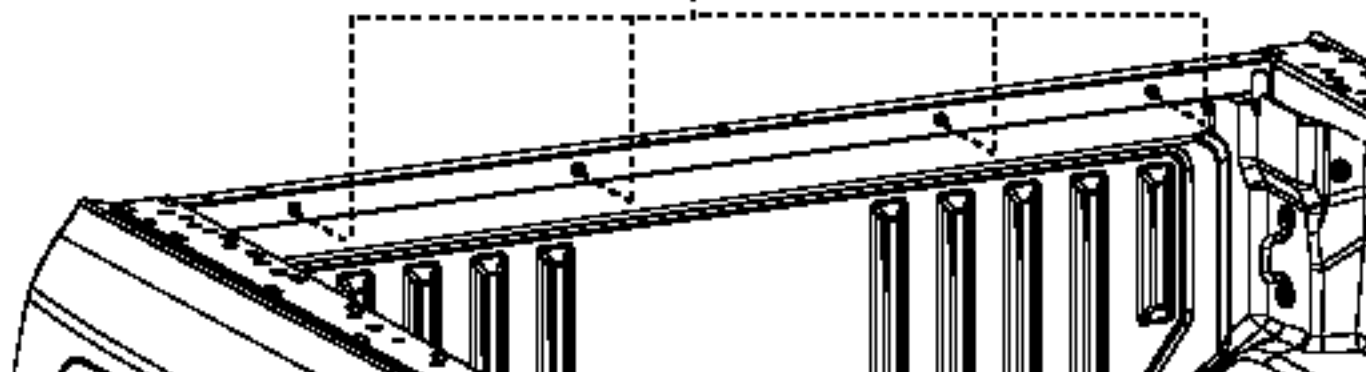
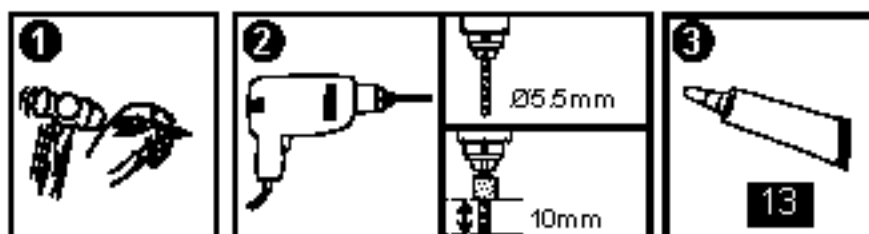
5



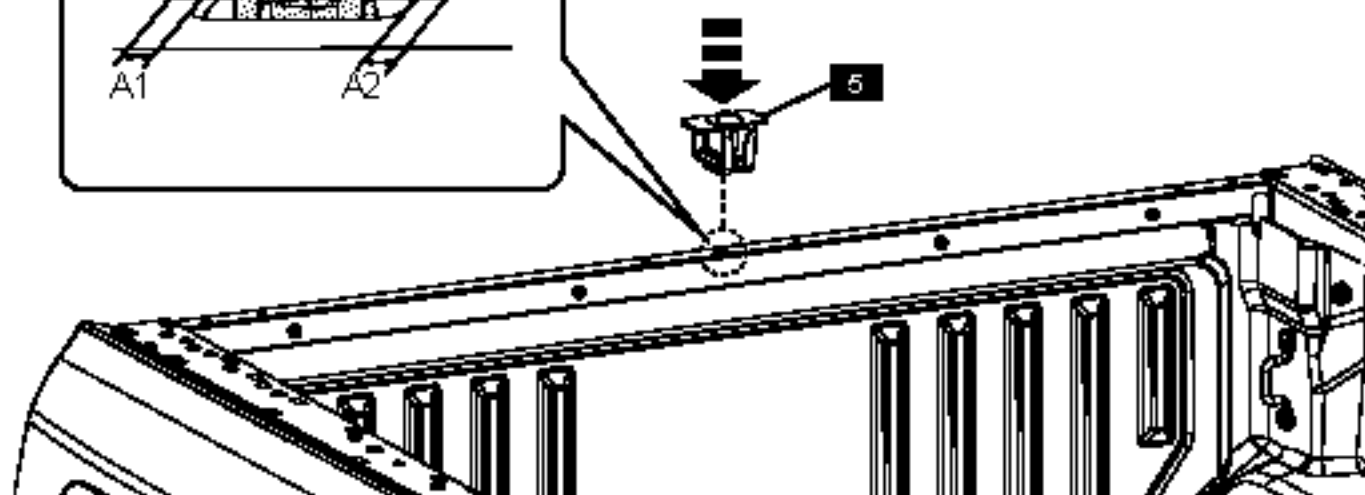
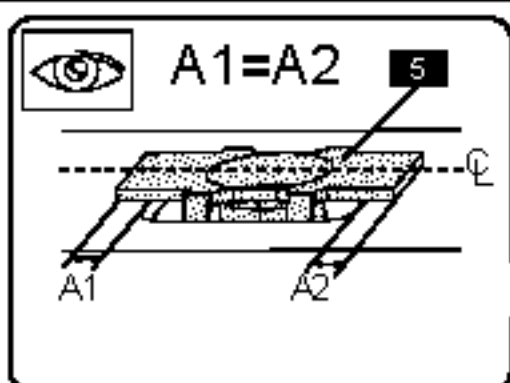
6



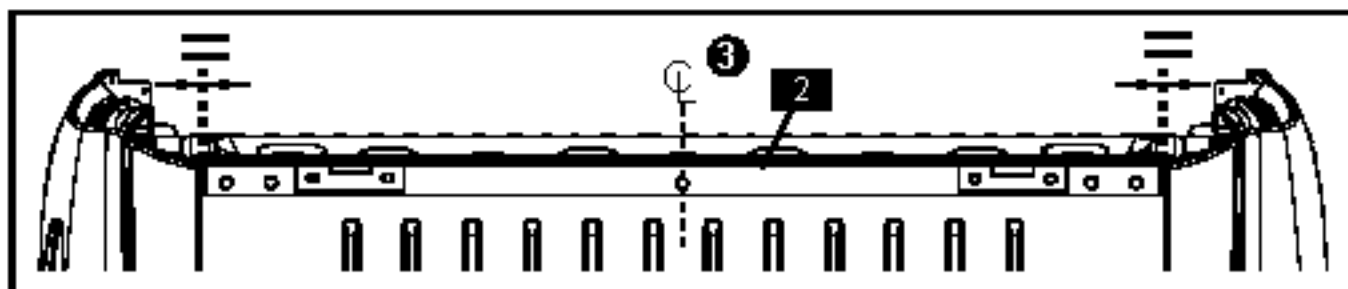
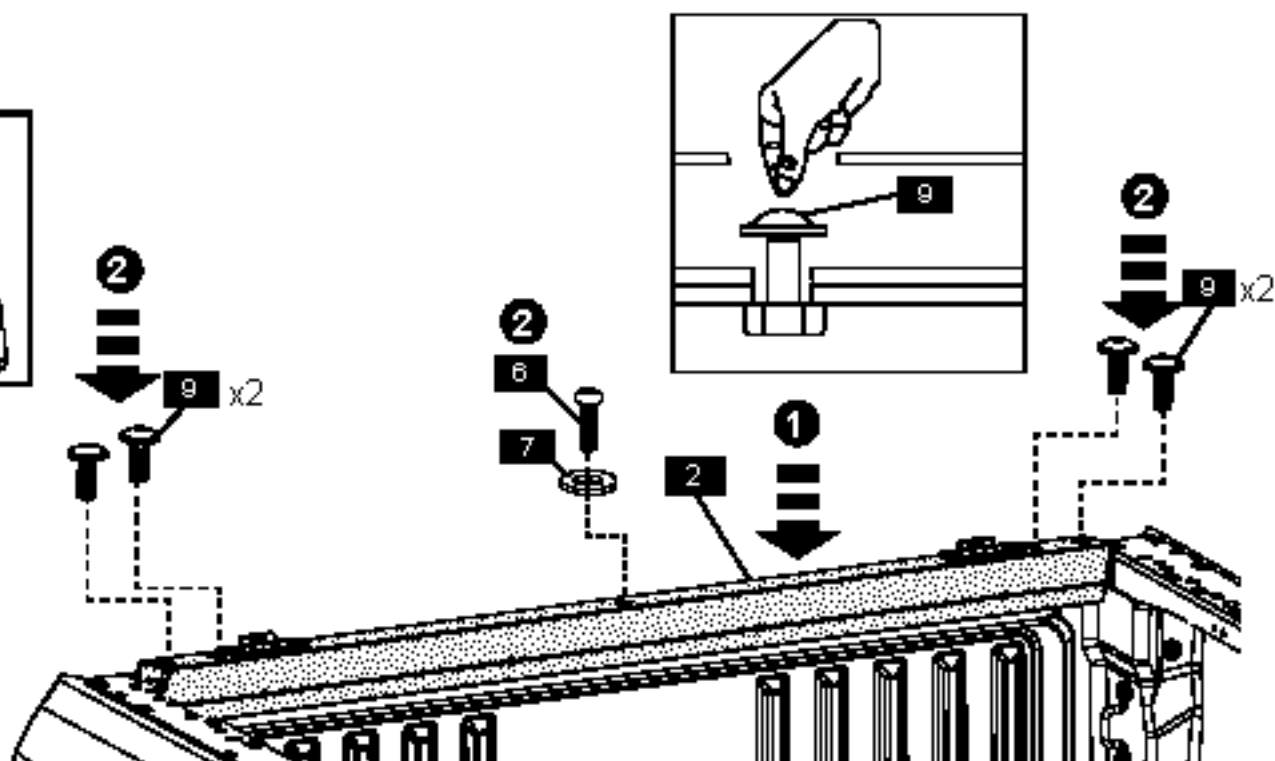
7



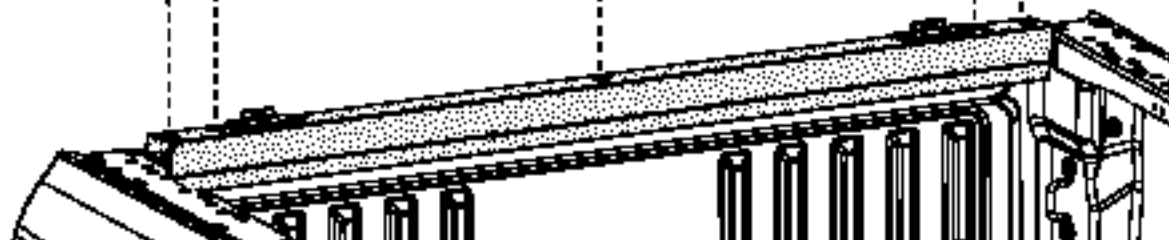
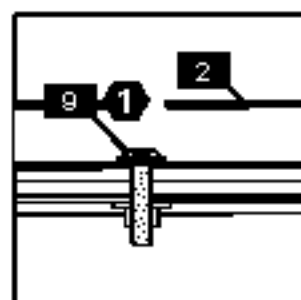
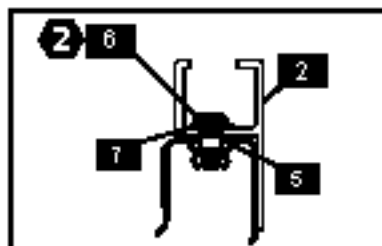
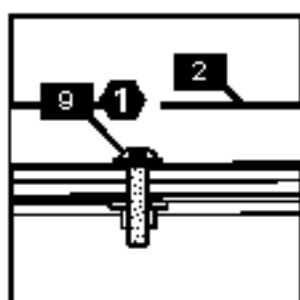
8



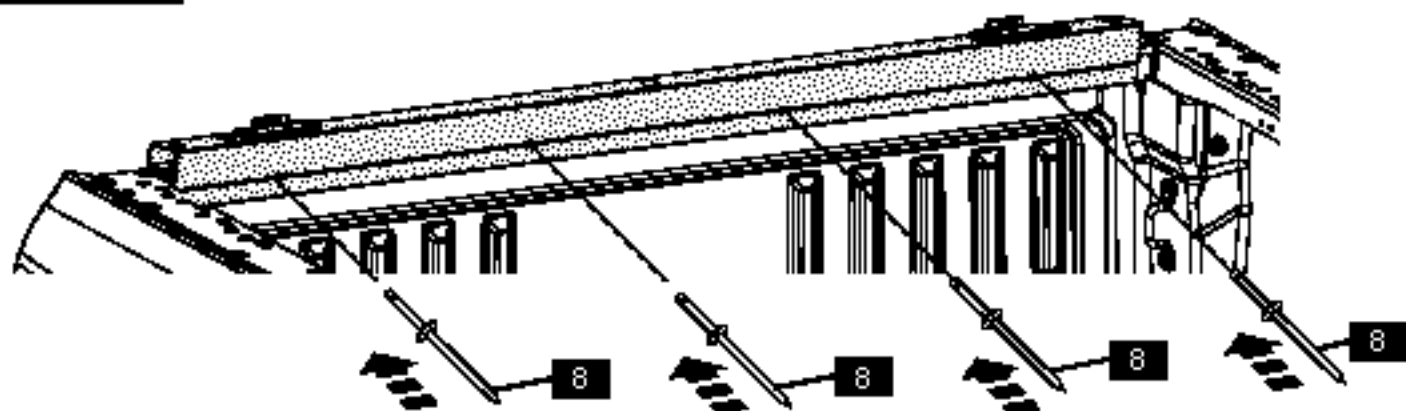
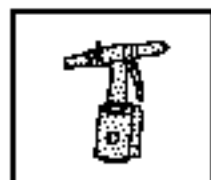
9



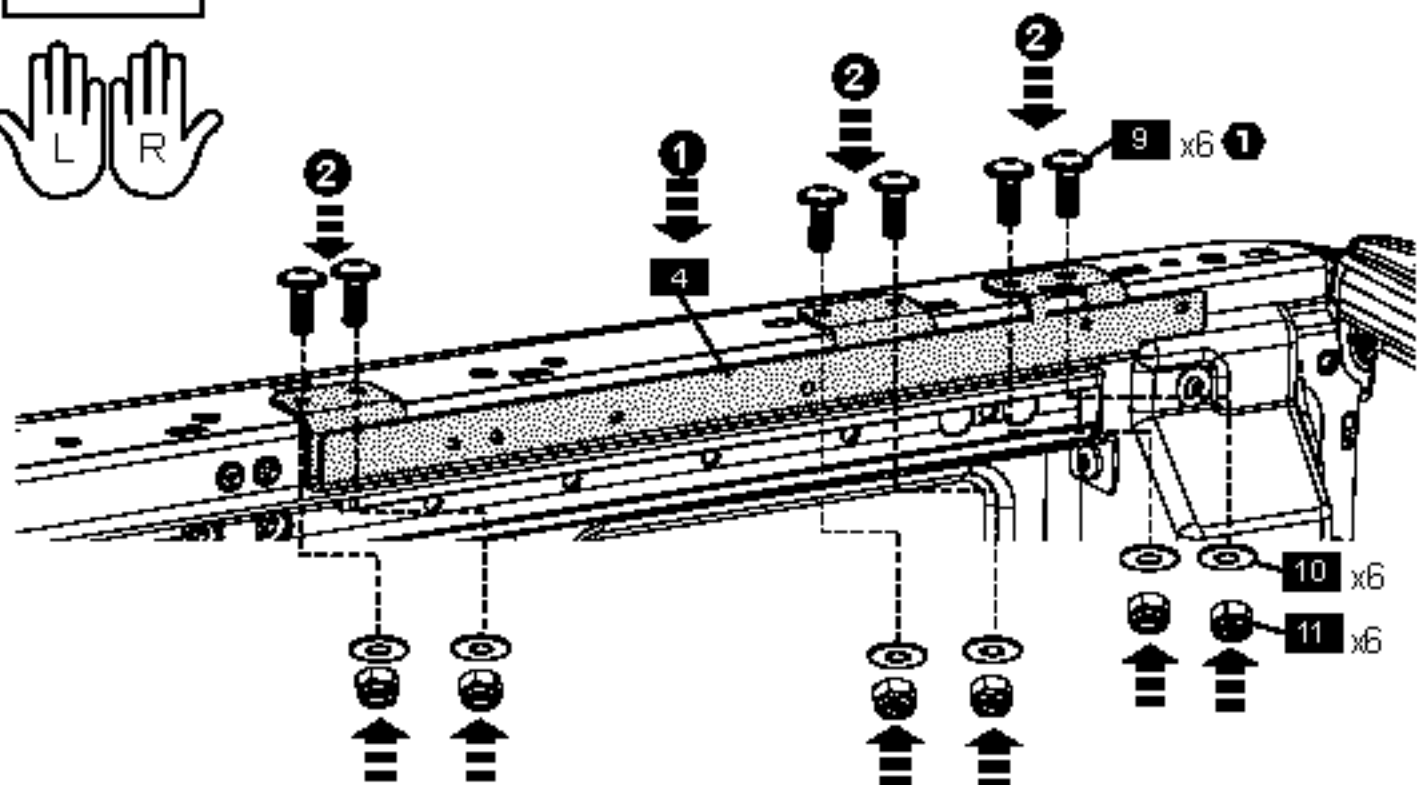
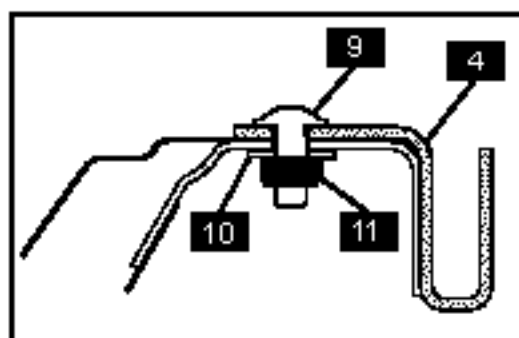
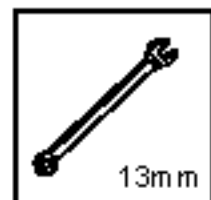
10



11

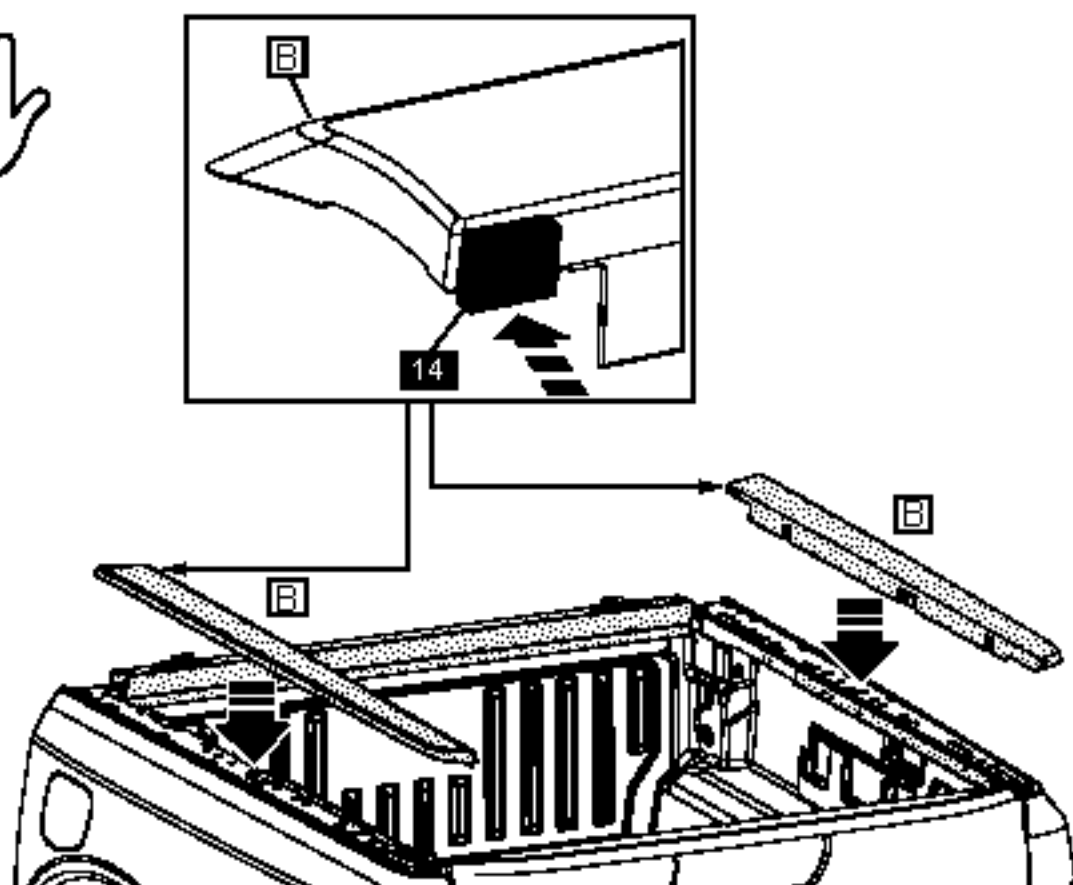


12

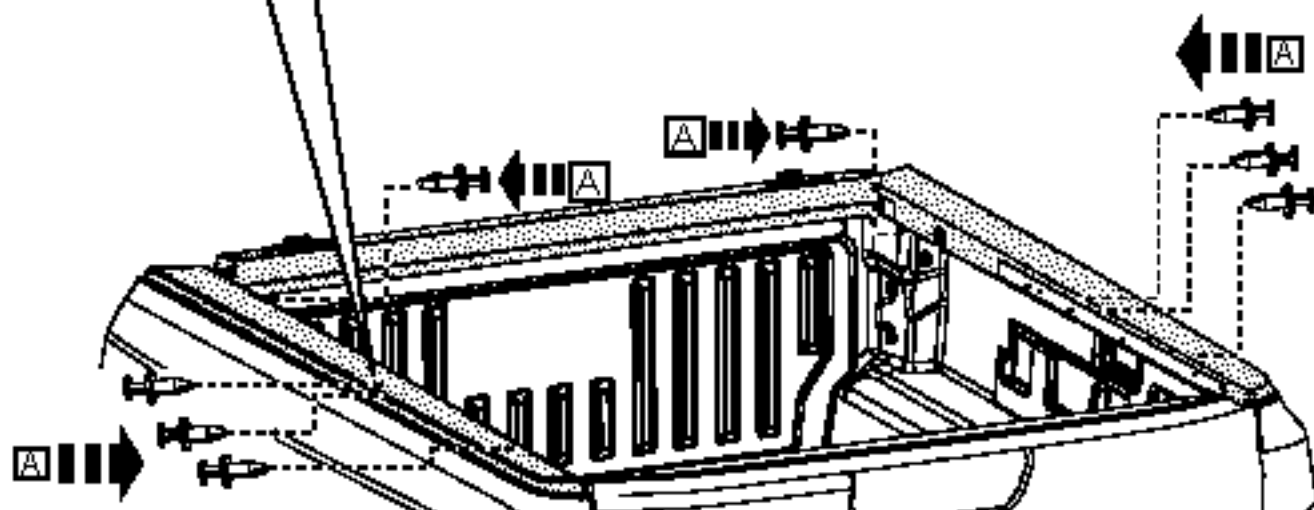
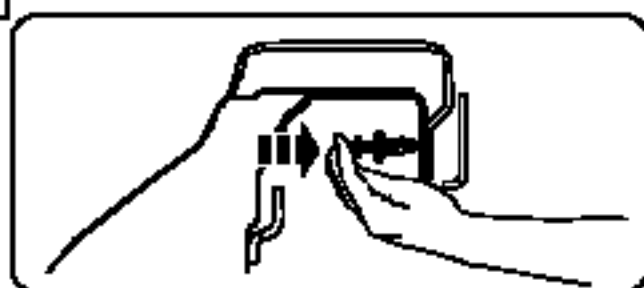




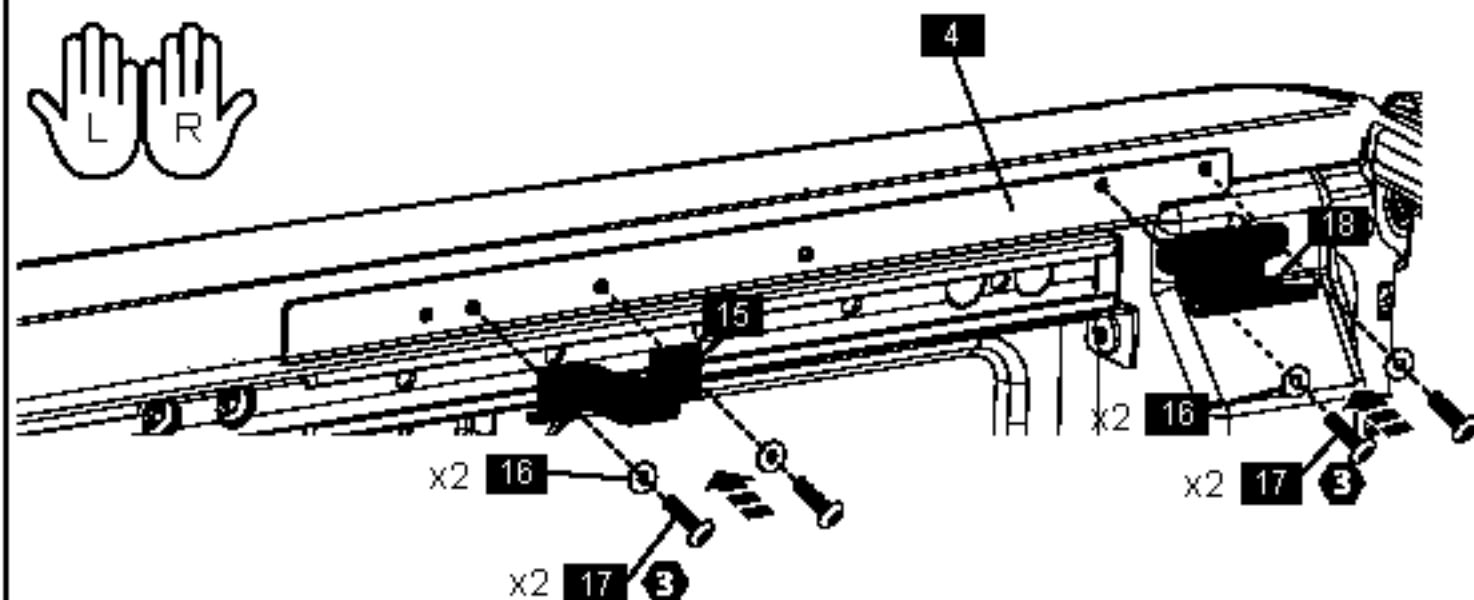
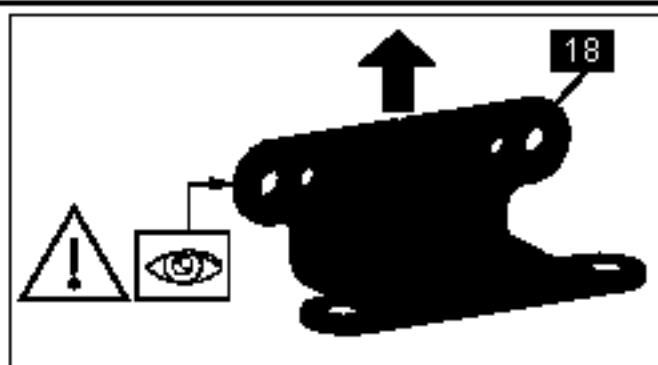
13



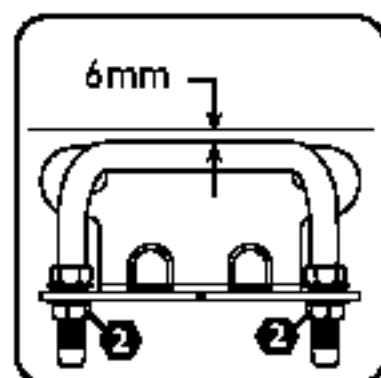
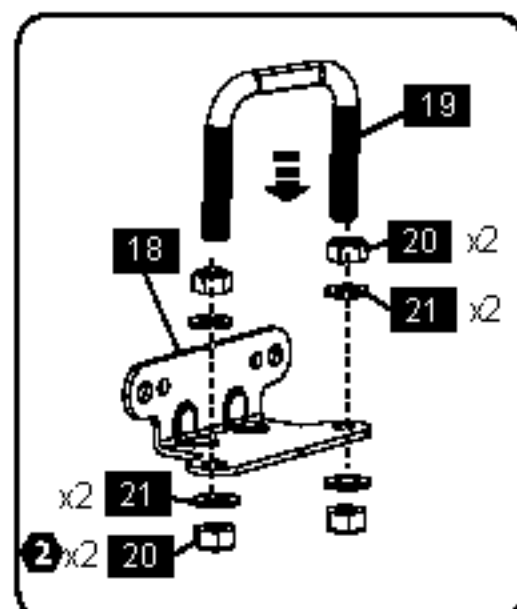
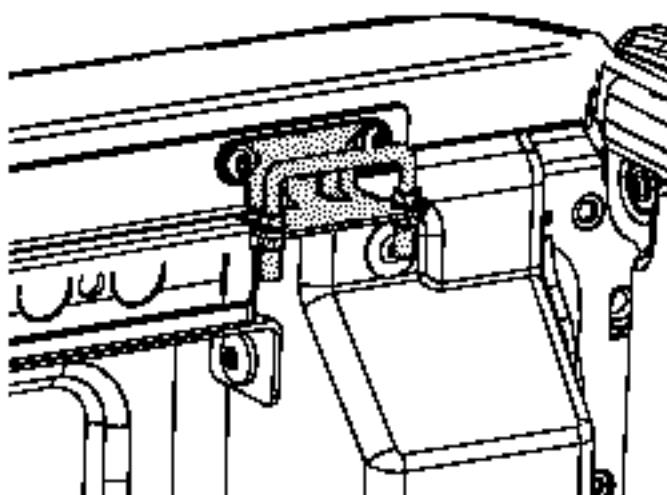
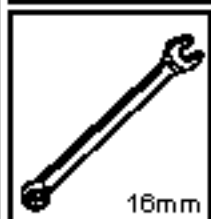
14



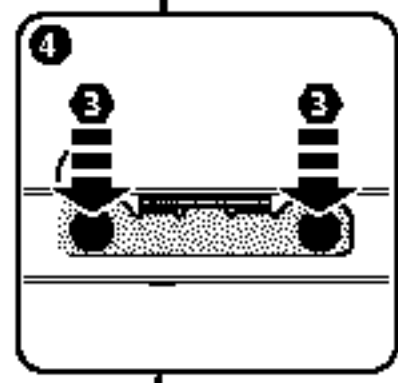
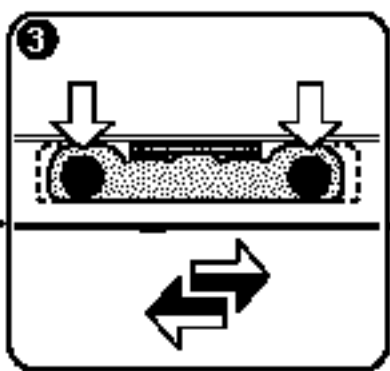
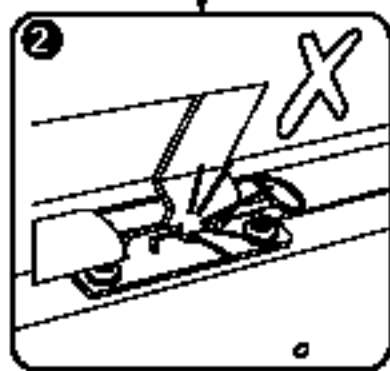
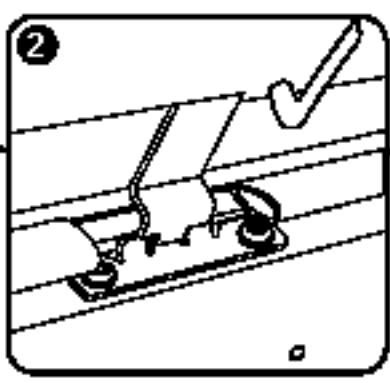
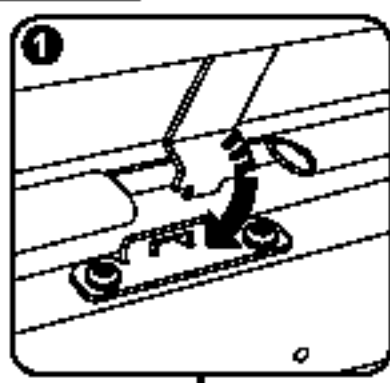
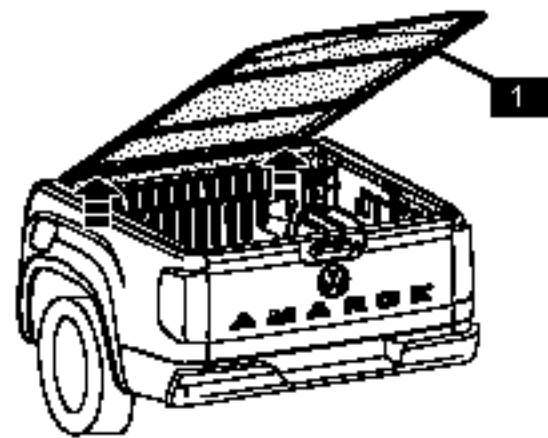
15



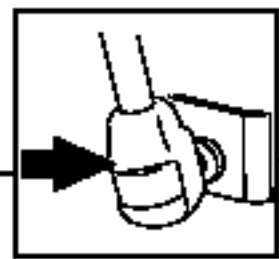
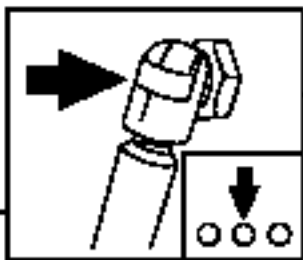
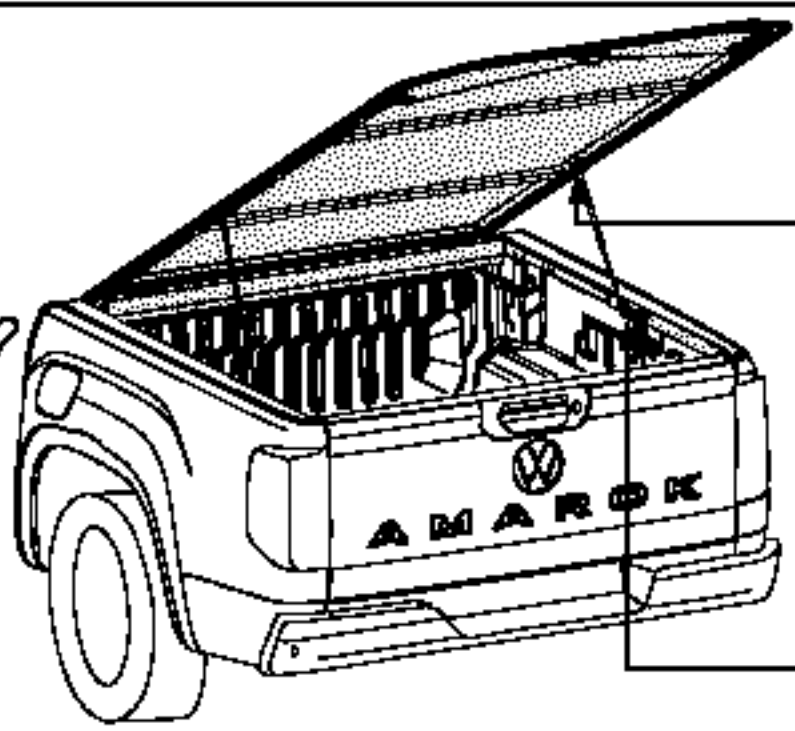
16



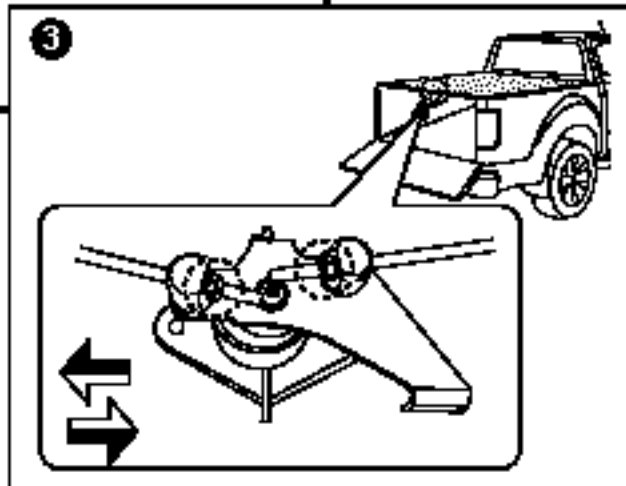
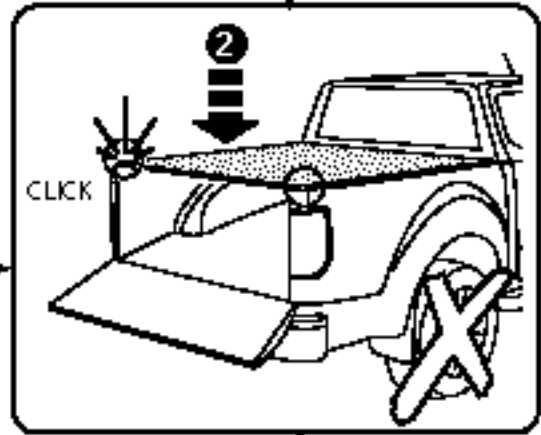
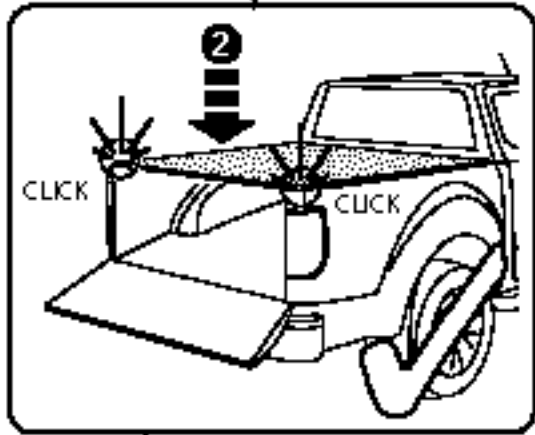
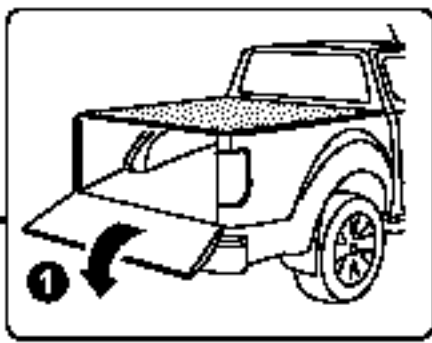
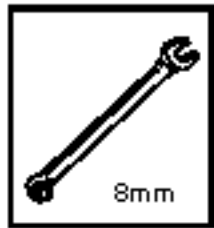
17



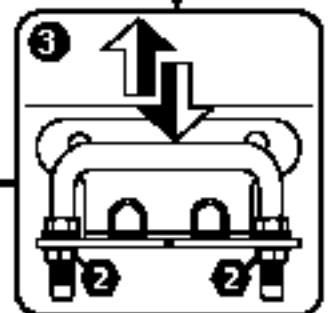
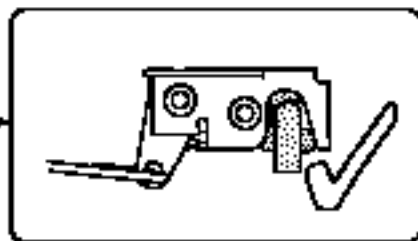
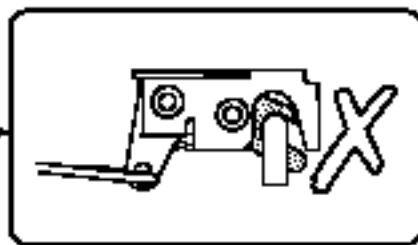
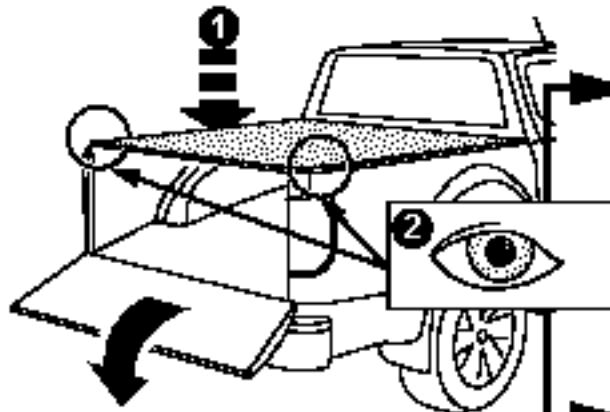
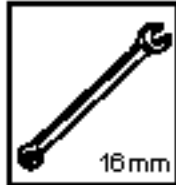
18



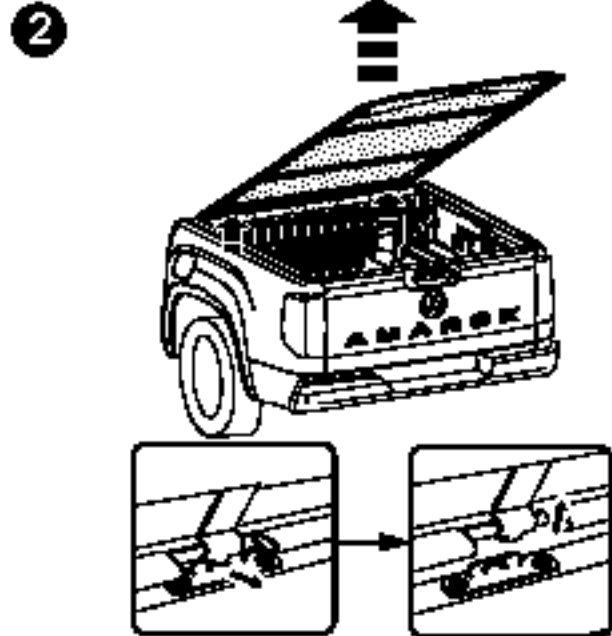
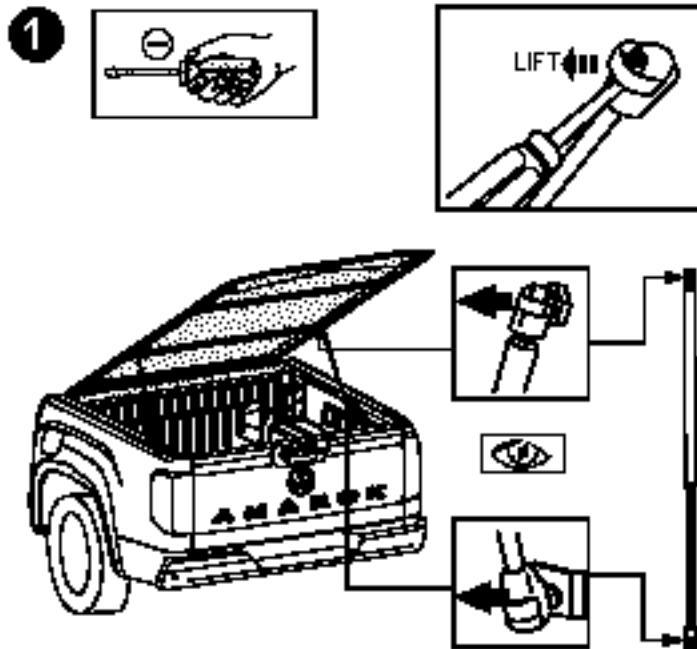
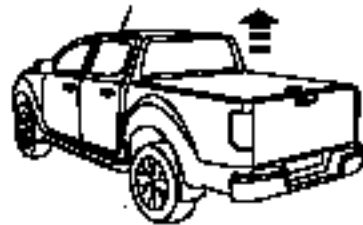
19



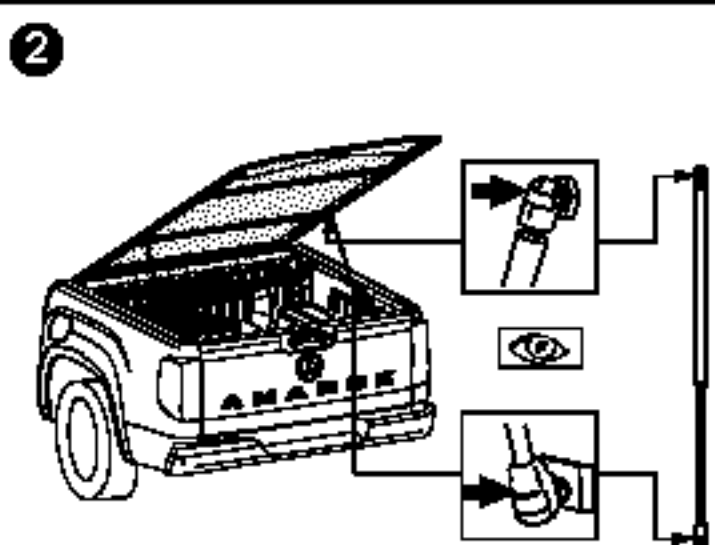
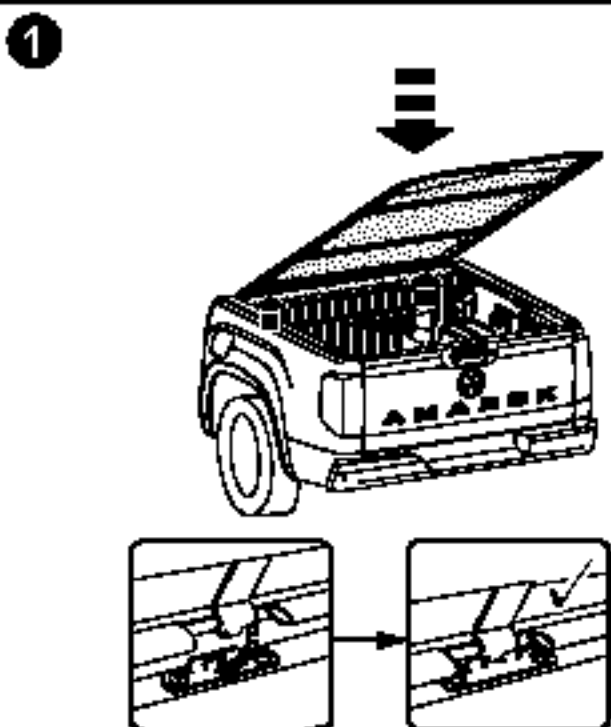
20



## TONNEAU REMOVAL



## TONNEAU REATTACHMENT



## UNLOCK GUIDE

# 6

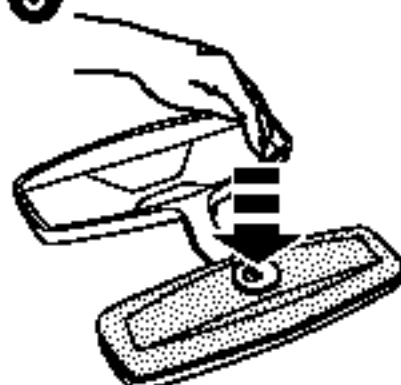
1



2



3



4



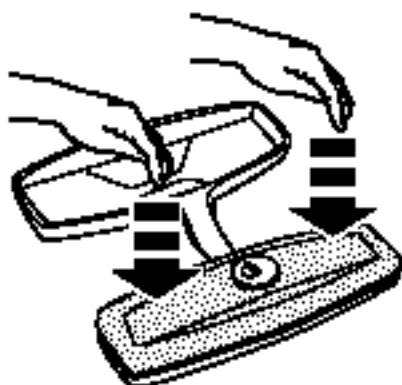
5



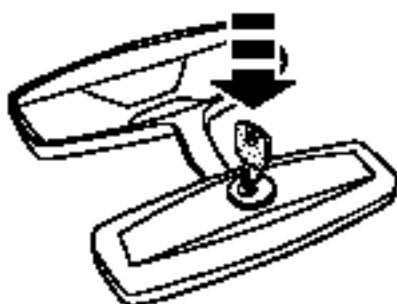
## LOCK GUIDE

# 6

1



2



3



4



5

